

GENERAL NOTES :

1. BERTHA H.V. COLONIAL SHUTTER SHOWN ON THIS PRODUCT EVALUATION DOCUMENT (P.E.D.) HAS BEEN VERIFIED FOR COMPLIANCE IN ACCORDANCE WITH THE 2006 EDITIONS OF THE INTERNATIONAL BUILDING CODE, (I.B.C.) AND INTERNATIONAL RESIDENTIAL CODE, (I.R.C.) WITH THE 2006 TEXAS REVISIONS, EFFECTIVE JANUARY 1, 2008.
 BERTHA H.V. COLONIAL SHUTTER SHALL BE INSTALLED AT SEAWARD AND INLAND AREAS, AS DEFINED BY THE TEXAS DEPARTMENT OF INSURANCE.
 DESIGN WIND LOADS SHALL BE DETERMINED AS PER SECTION 1609 OF THE INTERNATIONAL BUILDING CODE, FOR A BASIC WIND SPEED AS REQUIRED BY THE JURISDICTION WHERE SHUTTER WILL BE INSTALLED, AND FOR A DIRECTIONALITY FACTOR $K_d = 0.85$, IN ACCORDANCE WITH ASCE 7-05 STANDARD.
 BERTHA H.V. COLONIAL SHUTTER ADEQUACY FOR IMPACT AND CYCLIC RESISTANCE HAS BEEN VERIFIED IN ACCORDANCE WITH SECTIONS 1609.1.4 AND R301.2.1.2 OF THE ABOVE MENTIONED CODES RESPECTIVELY, AS PER AMERICAN TEST LAB REPORT # 1215.01-06, PER ASTM E 1886, E 1996 AND E 330 STANDARDS.
 PRODUCT MAY BE INSTALLED WITHIN WIND ZONES 1 THRU 3, ONLY AT BUILDINGS W/ BASIC PROTECTION, CORRESPONDING TO MISSILE TYPE D.

MAXIMUM DESIGN PRESSURE RATING = +45,-55 psf.

2. ALL ALUMINUM EXTRUSIONS SHALL BE ALUMINUM ASSOCIATION 6063-T6 ALLOY AND TEMPER, WITH $F_y=25.0$ ksi MINIMUM (UNLESS OTHERWISE NOTED). THE THICKNESS OF ALL EXTRUSIONS SHALL BE AS SHOWN ON THIS DRAWING WITH STANDARD TOLERANCES IN ACCORDANCE WITH THE "ALUMINUM STANDARDS AND DATA 2003 EDITION", ALUMINUM ASSOCIATION INCORPORATED, WASHINGTON D.C.
3. ALL SCREWS AND BOLTS INSTALLED AT SEAWARD AREAS TO BE STAINLESS STEEL 304 OR 316 AISI SERIES AND MEET ASTM A167, OR HOT DIPPED GALVANIZED (AFTER FABRICATION) CARBON STEEL AS PER ASTM A123 OR ASTM A153, OR HOT DIPPED GALVANIZED OR GALVANNEALED (PRIOR TO FABRICATION) AND MEET ASTM A653 WITH 50 ksi YIELD STRENGTH AND 90 ksi TENSILE STRENGTH, PER 2003 TEXAS REVISIONS TO SECTION 1716.1.1 OF THE 2003 I.B.C. AND SECTION R324.1.1 OF THE 2003 I.R.C.
4. ALL SCREWS AND BOLTS INSTALLED AT INLAND AREAS TO BE STAINLESS STEEL 304 OR 316 AISI SERIES AND MEET ASTM A167, OR HOT DIPPED GALVANIZED (AFTER FABRICATION) CARBON STEEL AS PER ASTM A123 OR ASTM A153, OR HOT DIPPED GALVANIZED OR GALVANNEALED (PRIOR TO FABRICATION) AND MEET ASTM A653; HOT DIP GALVANIZED OR ELECTRO GALVANIZED PER ASTM A641, MECHANICALLY DEPOSITED ZINC COATINGS PER ASTM B695 OR ELECTRO DEPOSITED ZINC COATINGS PER ASTM B633, PER THE 2003 TEXAS REVISIONS TO SECTION 1716.1.2 OF THE 2003 I.B.C. AND TO SECTION R324.1.2 OF THE 2003 I.R.C.
5. ALL ALUMINUM POP RIVETS TO BE 5052 ALUMINUM ALLOY WITH ALUMINUM MANDREL.
6. ANCHORS TO WALL SHALL BE AS FOLLOWS: (UNLESS OTHERWISE NOTED)
- (A) TO EXISTING WOOD FRAME WALL: SOUTHERN PINE No.2, $G=0.55$.
 - 1/4"Ø TAPCON ANCHORS AS MANUFACTURED BY I.T.W. BUILDEX, INC.

NOTES:

- A.1) MINIMUM THREADED PENETRATION OF TAPCON ANCHORS INTO WOOD SHALL BE 1 1/2".
- A.2) IN CASE THAT PRECAST STONE OR PRECAST CONCRETE PANELS BE FOUND ON THE EXISTING WALL, ANCHORS SHALL BE LONG ENOUGH TO REACH THE MAIN STRUCTURE BEHIND SUCH PANELS. ANCHORAGE SHALL BE AS INDICATED ON NOTES A.1).
- (B) ANCHORS SHALL BE INSTALLED FOLLOWING ALL OF THE RECOMMENDATIONS AND SPECIFICATIONS OF THE ANCHOR'S MANUFACTURER.

7. EACH SHUTTER SHALL HAVE A LEGIBLE AND READILY VISIBLE MARKING INSTRUCTING OWNER OR TENANT TO SECURE SHUTTER WITH STORM BARS & SAFETY PINS DURING PERIODS OF HURRICANE WARNINGS.

8. IT SHALL BE THE RESPONSIBILITY OF THE CONTRACTOR TO VERIFY THE SOUNDNESS OF THE STRUCTURE WHERE SHUTTER IS TO BE ATTACHED TO INSURE PROPER ANCHORAGE. CONTRACTOR TO SEAL/CAULK ALL SHUTTER COMPONENT EDGES WHICH REMAIN IN CONTINUOUS CONTACT WITH THE BUILDING TO PREVENT WIND/RAIN INTRUSION.

9. OWNER TO BE RESPONSIBLE FOR PROVIDING A SUITABLE PLATFORM OR BALCONY WHEN SECURING UNIT DURING HURRICANE WARNINGS.

10. BERTHA H.V. COLONIAL SHUTTER'S INSTALLATION SHALL COMPLY WITH SPECS INDICATED IN THIS DRAWING PLUS ANY BUILDING AND ZONING REGULATIONS PROVIDED BY THE JURISDICTION WHERE PERMIT IS APPLIED TO.

11. (a) THIS PRODUCT EVALUATION DOCUMENT (P.E.D.) PREPARED BY THIS ENGINEER IS GENERIC AND DOES NOT PROVIDE INFORMATION FOR A SITE SPECIFIC PROJECT; i. e. WHERE THE SITE CONDITIONS DEVIATE FROM THE P.E.D.

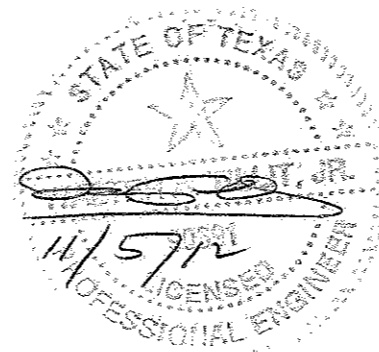
(b) CONTRACTOR TO BE RESPONSIBLE FOR THE SELECTION, PURCHASE AND INSTALLATION INCLUDING LIFE SAFETY OF THIS PRODUCT, BASED ON THIS PRODUCT EVALUATION DOCUMENT, PROVIDED HE/SHE DOES NOT DEVIATE FROM THE CONDITIONS DETAILED ON THIS DOCUMENT. CONSTRUCTION SAFETY AT SITE IS THE CONTRACTOR'S RESPONSIBILITY.

(c) THIS PRODUCT EVALUATION DOCUMENT WILL BE CONSIDERED INVALID IF ALTERED BY ANY MEANS.

(d) SITE SPECIFIC PROJECTS SHALL BE PREPARED BY A PROFESSIONAL ENGINEER OR REGISTERED ARCHITECT WHICH WILL BECOME THE ENGINEER OF RECORD (E.O.R.) FOR THE PROJECT AND WHO WILL BE RESPONSIBLE FOR THE PROPER USE OF THE P.E.D. ENGINEER OF RECORD, ACTING AS A DELEGATED ENGINEER TO THE P.E.D. ENGINEER, SHALL SUBMIT TO THIS LATTER THE SITE SPECIFIC DRAWINGS FOR REVIEW.

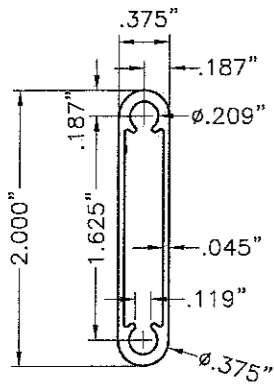
(e) THIS P.E.D. SHALL BEAR THE DATE AND ORIGINAL SEAL AND SIGNATURE OF THE PROFESSIONAL ENGINEER OF RECORD THAT PREPARED IT.

12. SHUTTER MANUFACTURER'S LABEL SHALL BE LOCATED ON A READILY VISIBLE LOCATION AT SHUTTER IN ACCORDANCE WITH TEXAS DEPARTMENT OF INSURANCE REQUIREMENTS. ONE LABEL SHALL BE PLACED FOR EVERY OPENING.

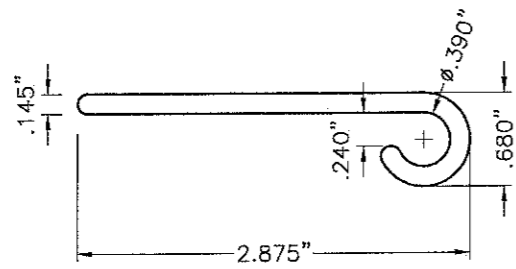


TEXAS DEPARTMENT OF INSURANCE - 2006

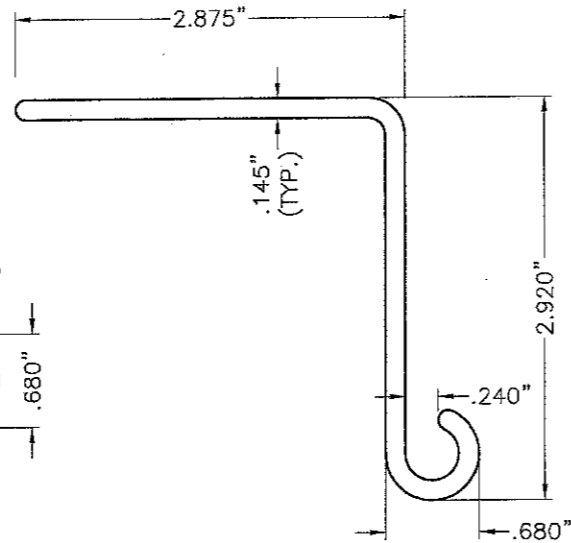
WALTER A. TILLIT Jr. P.E. PROFESSIONAL ENGINEER 6355 N.W. 36 STREET, STE. 305 VIRGINIA GARDENS, FL 33166 PHONE (305) 871-1530 FAX (305) 871-1531 TEXAS LIC. # 90691 FIRM REGISTRATION # F-13790		ASSA / BERTHA H.V. COLONIAL SHUTTER AMERICAN SHUTTER SYSTEMS ASSOC., INC. 4268 WESTROADS DRIVE WEST PALM BEACH, FLORIDA 33407 PHONE (800) 432-2204 FAX (561) 209-8380		F.P./A.G. DRAWN BY: 11/03/12 DATE 12-168 DRAWING No	
REV. NO	DESCRIPTION	DATE	REV. No	DESCRIPTION	DATE
1	OLD 07-013	11/03/12	3		
2			4		
					SHEET 1 OF 6



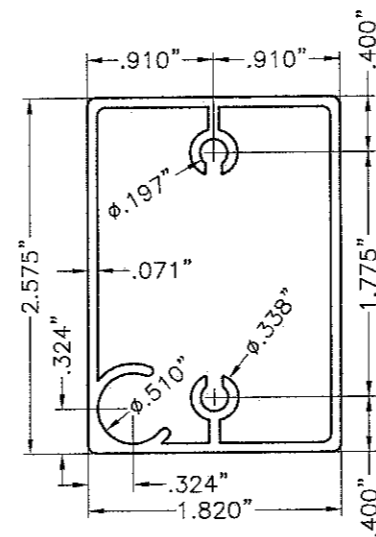
(A) LOUVER BLADE
6063-T6 Alum. ALLOY



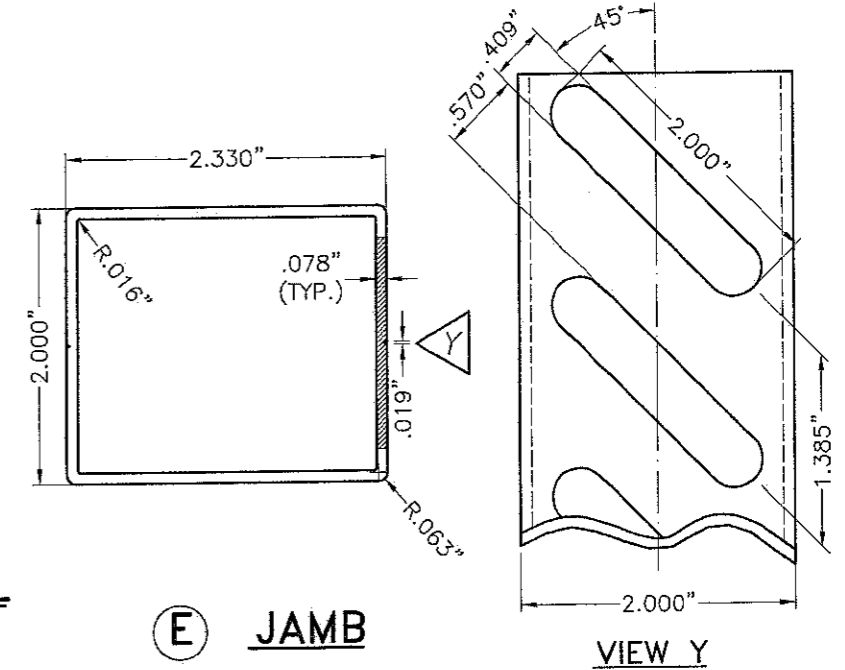
(B) FLAT HINGE
6063-T6 Alum. ALLOY
2" LONG.



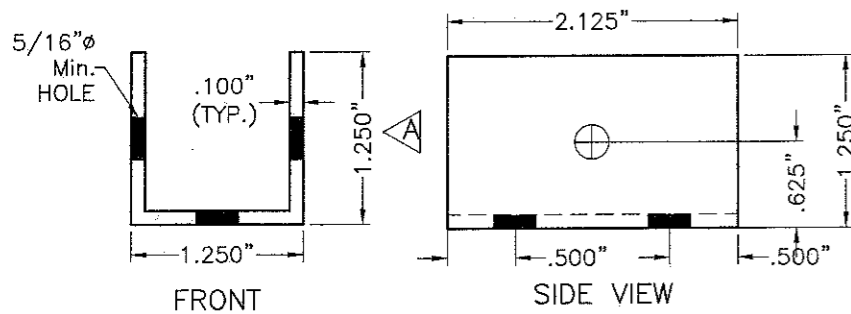
(C) DOUBLE HINGE
6063-T6 Alum. ALLOY
2" LONG.



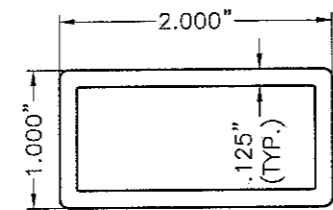
(D) TOP & BOTTOM RAIL
6063-T6 Alum. ALLOY



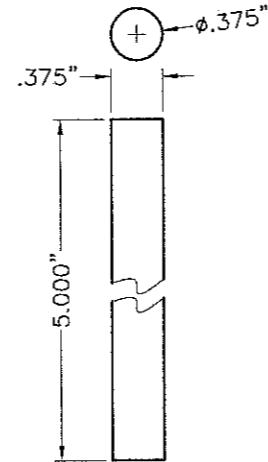
(E) JAMB



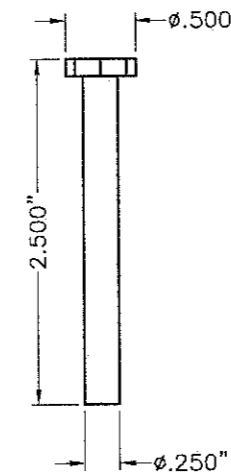
(F) H.V. STORM BAR CLIP
6063-T6 Alum. ALLOY
2 1/8" LONG.



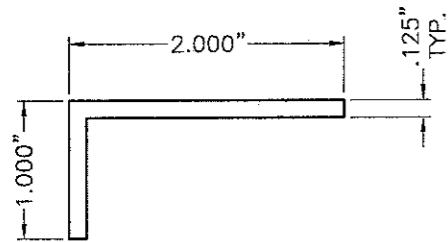
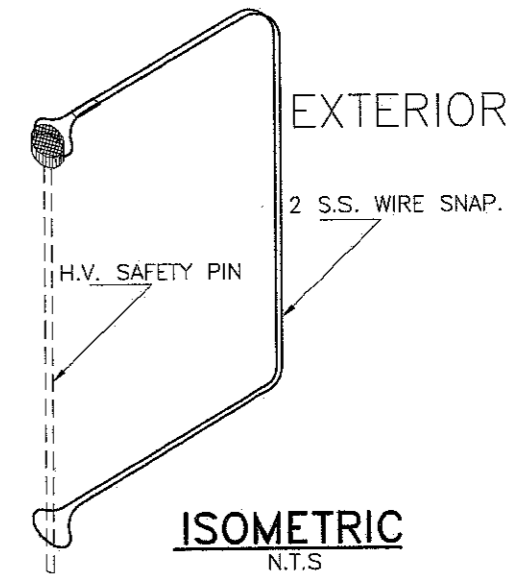
(G) STORM BAR



**(H) S.S. HINGE PIN
W/ LOCK NUT.**



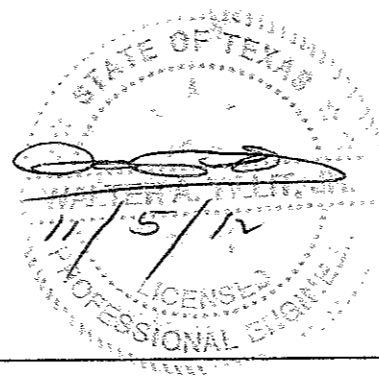
(I) S.S. H.V. SAFETY PIN W/ 2 S.S. WIRE SNAP



(J) NON HURRICANE BRACKET ANGLE
6063-T6 Alum. ALLOY
2 1/8" LONG.

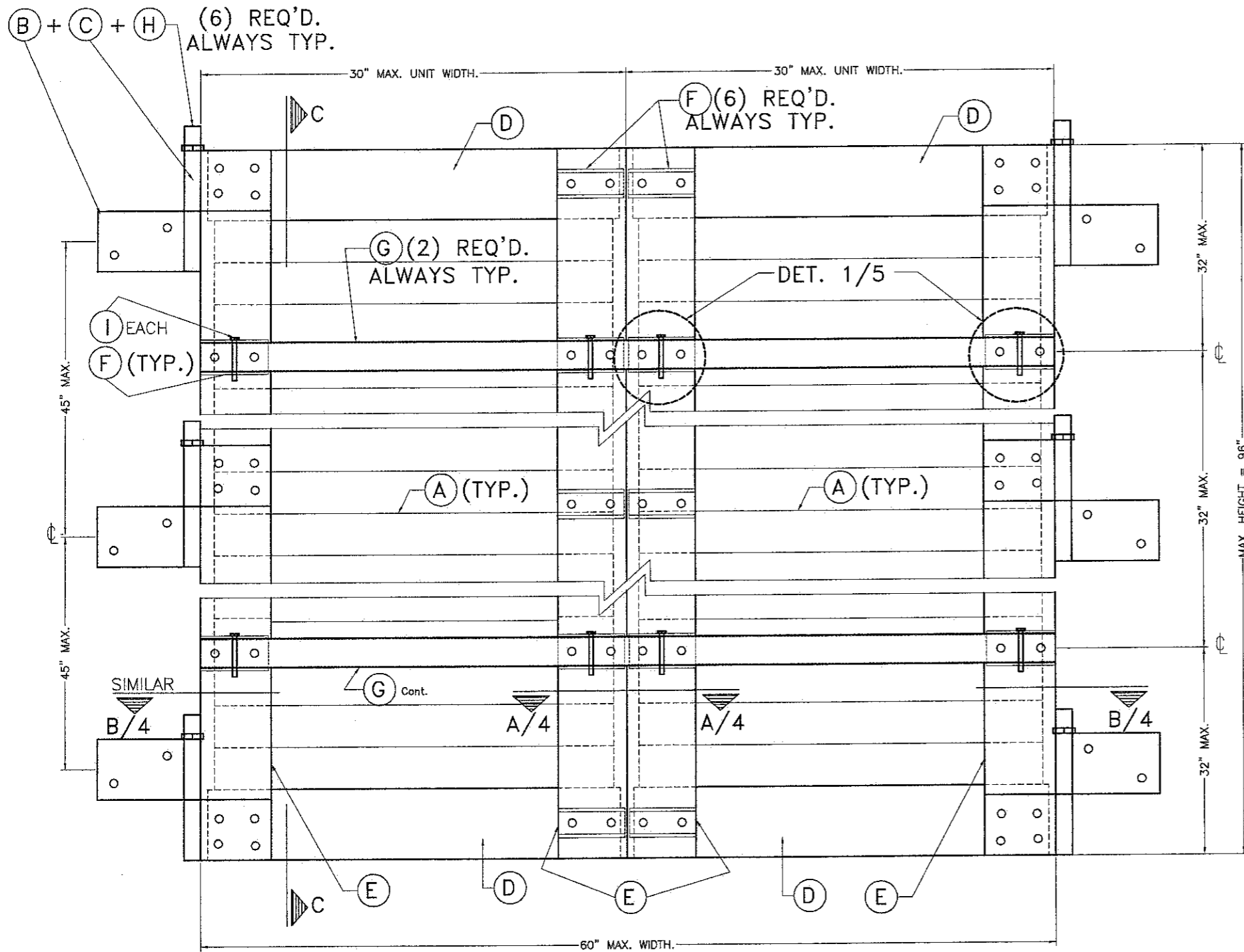
COMPONENTS

SCALE: 3/4" = 1"



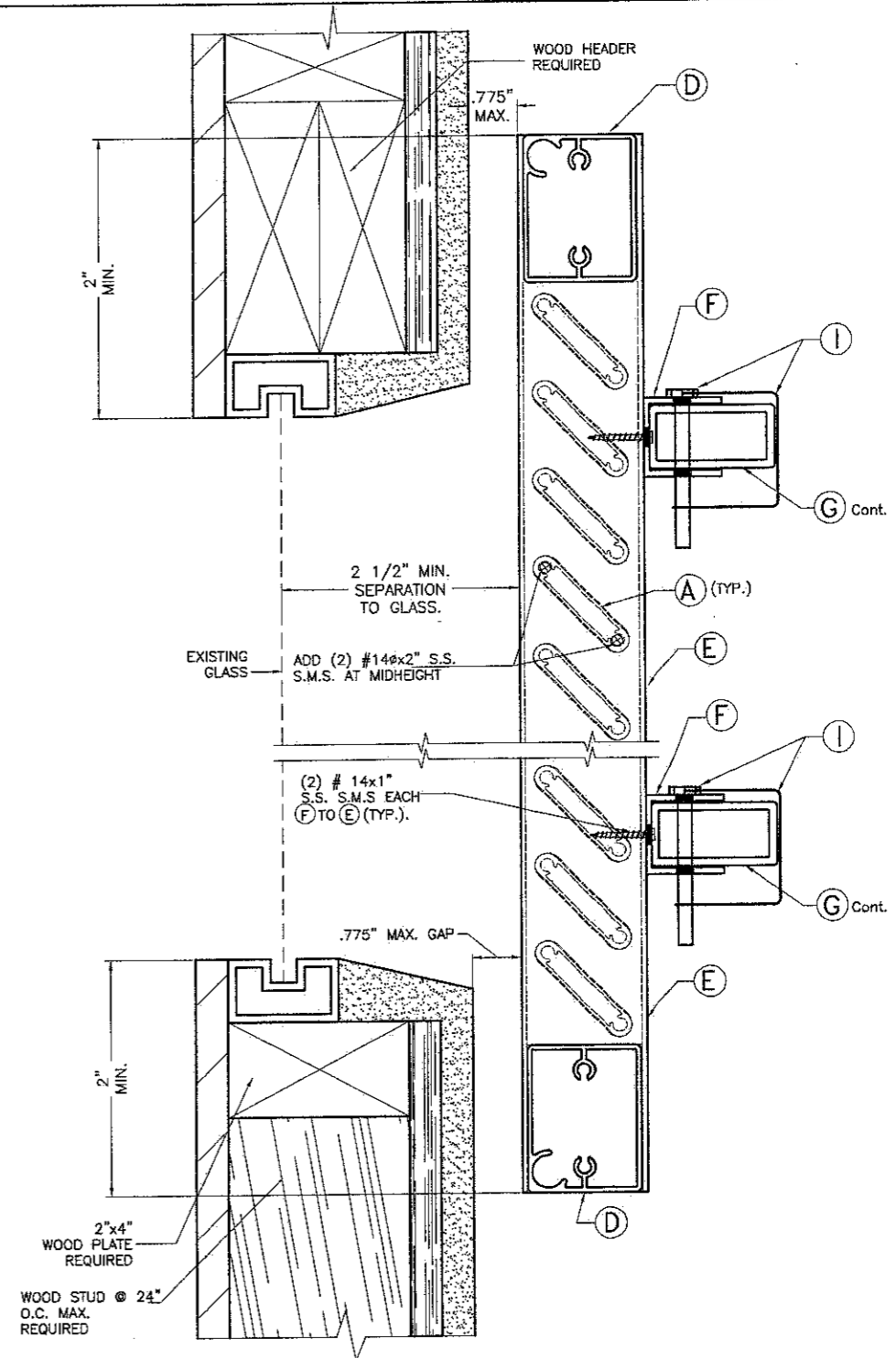
TEXAS DEPARTMENT OF INSURANCE - 2006

WALTER A. TILLIT Jr. P.E. PROFESSIONAL ENGINEER		ASSA / BERTHA H.V. COLONIAL SHUTTER		F.P./A.G. DRAWN BY:	
6355 N.W. 36 STREET, STE. 305 VIRGINIA GARDENS, FL 33166 PHONE (305) 871-1530 FAX (305) 871-1531		AMERICAN SHUTTER SYSTEMS ASSOC., INC. 4268 WESTROADS DRIVE WEST PALM BEACH, FLORIDA 33407 PHONE (800) 432-2204 FAX (561) 209-8380		11/03/12 DATE	
TEXAS LIC. # 90691 FIRM REGISTRATION # F-13790				12-168 DRAWING No	
REV. NO	DESCRIPTION	DATE	REV. No	DESCRIPTION	DATE
1	OLD 07-013	11/03/12	3		
2			4		
					SHEET 2 OF 6



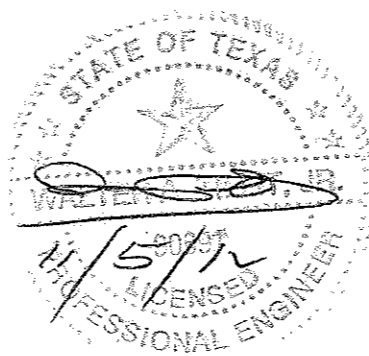
**TYPICAL EXTERIOR ELEV. DOUBLE PANEL
(HURRICANE POSITION)**

N.T.S.



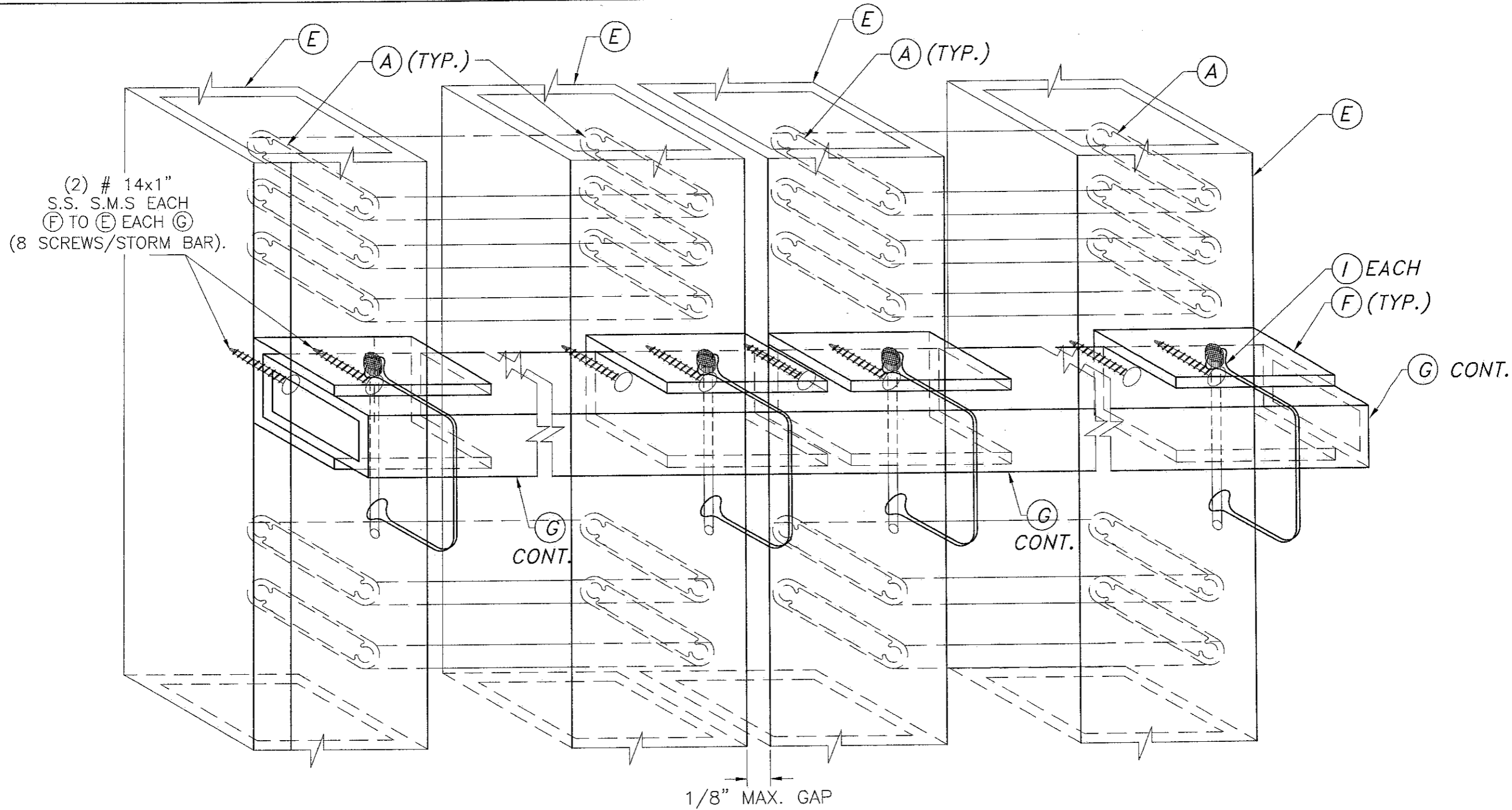
SECTION C - C

(WALL MOUNT)
HURRICANE POSITION
SCALE: 3/8" = 1"



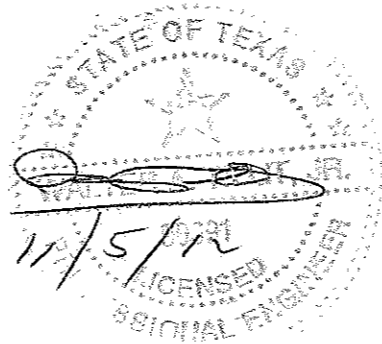
TEXAS DEPARTMENT OF INSURANCE - 2006

WALTER A. TILLIT Jr. P.E. PROFESSIONAL ENGINEER		ASSA / BERTHA H.V. COLONIAL SHUTTER		F.P./A.G. DRAWN BY:	
6355 N.W. 36 STREET, STE. 305 VIRGINIA GARDENS, FL 33166 PHONE (305) 871-1530 FAX (305) 871-1531		AMERICAN SHUTTER SYSTEMS ASSOC., INC. 4268 WESTROADS DRIVE WEST PALM BEACH, FLORIDA 33407 PHONE (800) 432-2204 FAX (561) 209-8380		11/03/12 DATE	
TEXAS LIC. # 90691 FIRM REGISTRATION # F-13790				12-168 DRAWING No	
REV. NO	DESCRIPTION	DATE	REV. No	DESCRIPTION	DATE
1	OLD 07-013	11/03/12	3		
2			4		
					SHEET 3 OF 6



DETAIL 1 (ISOMETRIC)

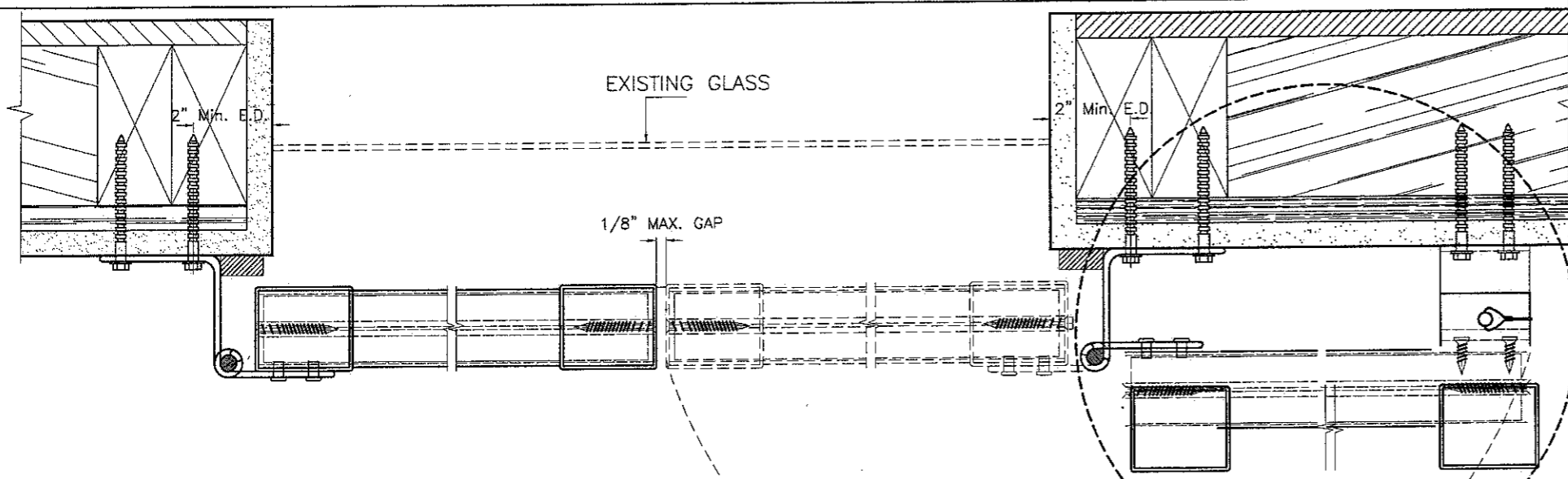
N.T.S



WALTER A. TILLIT Jr. P.E.
 PROFESSIONAL ENGINEER
 6355 N.W. 36 STREET, STE. 305
 VIRGINIA GARDENS, FL 33166
 PHONE (305) 871-1530 FAX (305) 871-1531
 TEXAS LIC. # 90691
 FIRM REGISTRATION # F-13790

TEXAS DEPARTMENT OF INSURANCE - 2006

ASSA / BERTHA H.V. COLONIAL SHUTTER		F.P./A.G. DRAWN BY:
AMERICAN SHUTTER SYSTEMS ASSOC., INC. 4268 WESTROADS DRIVE WEST PALM BEACH, FLORIDA 33407 PHONE (800) 432-2204 FAX (561) 209-8380		11/03/12 DATE
		12-168 DRAWING No
REV. No	DESCRIPTION	DATE
1	OLD 07-013	11/03/12
2		
REV. No	DESCRIPTION	DATE
3		
4		
SHEET 5 OF 6		

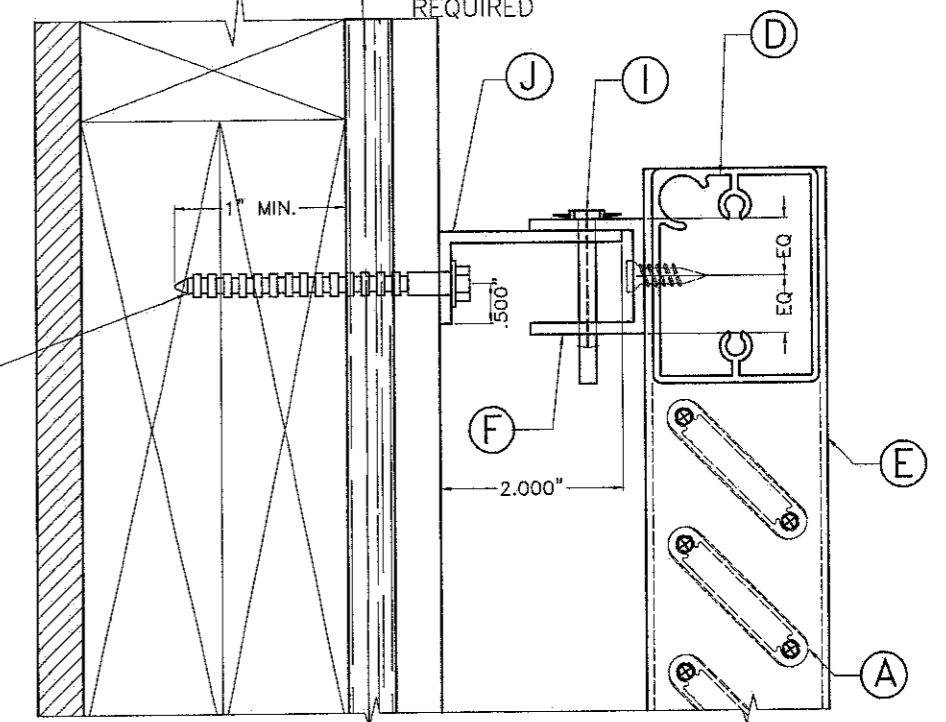


TYPICAL PLAN (NON HURRICANE POSITION)

N.T.S.

DETAIL X

WOOD HEADER, WOOD PLATES, WOOD STUDS OR 1/2" (MIN.) PLYWOOD SHEATHING REQUIRED



**ELEVATION Y-Y
(MIDHEIGHT, BOTTOM LOCATIONS ARE SIMILAR)**

SCALE: 1/2"=1"

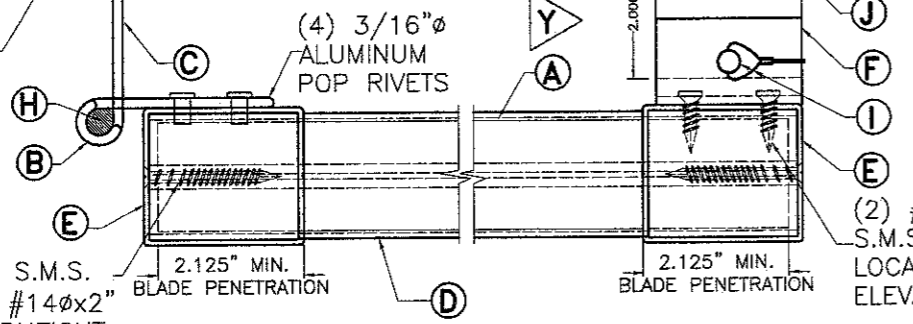
(2) 2" x 4" WOOD STUDS REQUIRED @ CORNER (Typ.)

(2) 1/4"Ø TAPCONS I.T.W. BUILDDEX (STAGGERED) W/ 1 1/2" Min. THREADED PENETRATION TO WOOD

1/2" MIN. PLYWOOD SHEATHING REQUIRED

(2) 1/4"Ø TAPCONS I.T.W. BUILDDEX W/ 1 1/2" Min. THREADED PENETRATION TO PLYWOOD SHEATHING REQ'D. W/1" EXTRA DISTANCE PASSED PLYWOOD

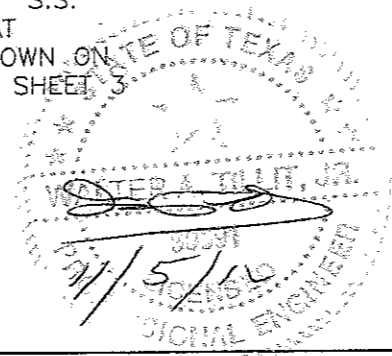
EXISTING BAND REQ'D. (TYP.) EACH SIDE.



DETAIL X (NON HURRICANE POSITION)

SCALE: 3/8"=1"

(2) #14Øx3/4" S.S. S.M.S. TO (C) AT LOCATIONS SHOWN ON ELEVATION ON SHEET 3



TEXAS DEPARTMENT OF INSURANCE - 2006

WALTER A. TILLIT Jr. P.E. PROFESSIONAL ENGINEER 6355 N.W. 36 STREET, STE. 305 VIRGINIA GARDENS, FL 33166 PHONE (305) 871-1530 FAX (305) 871-1531 TEXAS LIC. # 90691 FIRM REGISTRATION # F-13790		ASSA / BERTHA H.V. COLONIAL SHUTTER AMERICAN SHUTTER SYSTEMS ASSOC., INC. 4268 WESTROADS DRIVE WEST PALM BEACH, FLORIDA 33407 PHONE (800) 432-2204 FAX (561) 209-8380		F.P./A.G. DRAWN BY: 11/03/12 DATE 12-168 DRAWING No	
REV. NO	DESCRIPTION	DATE	REV. No	DESCRIPTION	DATE
1	OLD 07-013	11/03/12	3		
2			4		