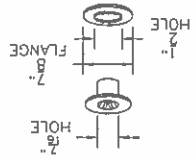
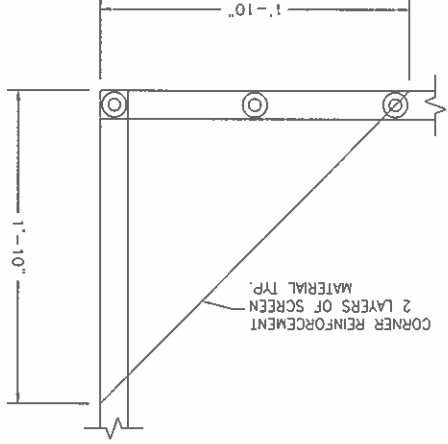


3.0 PANEL PROFILE
SCALE: NTS=1'-0"

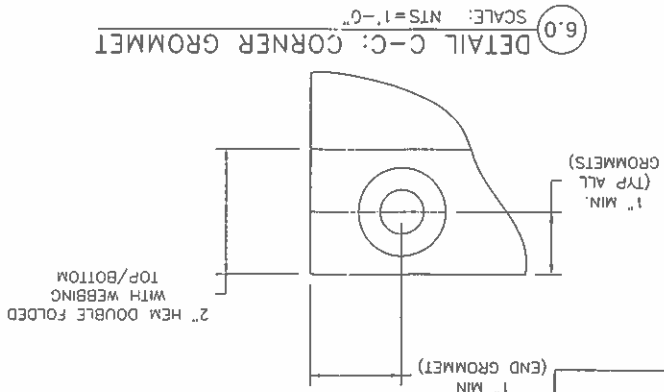


4.0 #2 SPUR GROMMET
SCALE: NTS=1'-0"

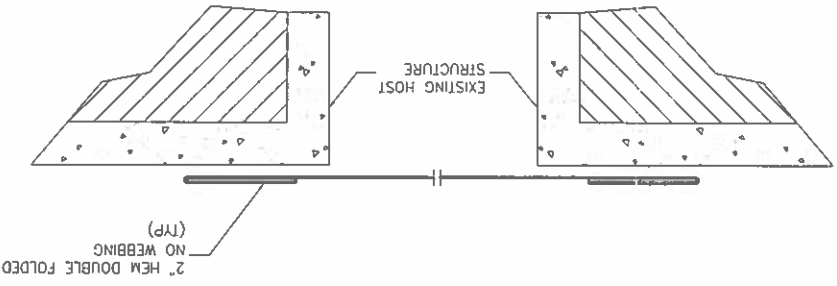


5.0 DETAIL D-D: CORNER REINFORCEMENT
SCALE: NTS=1'-0"

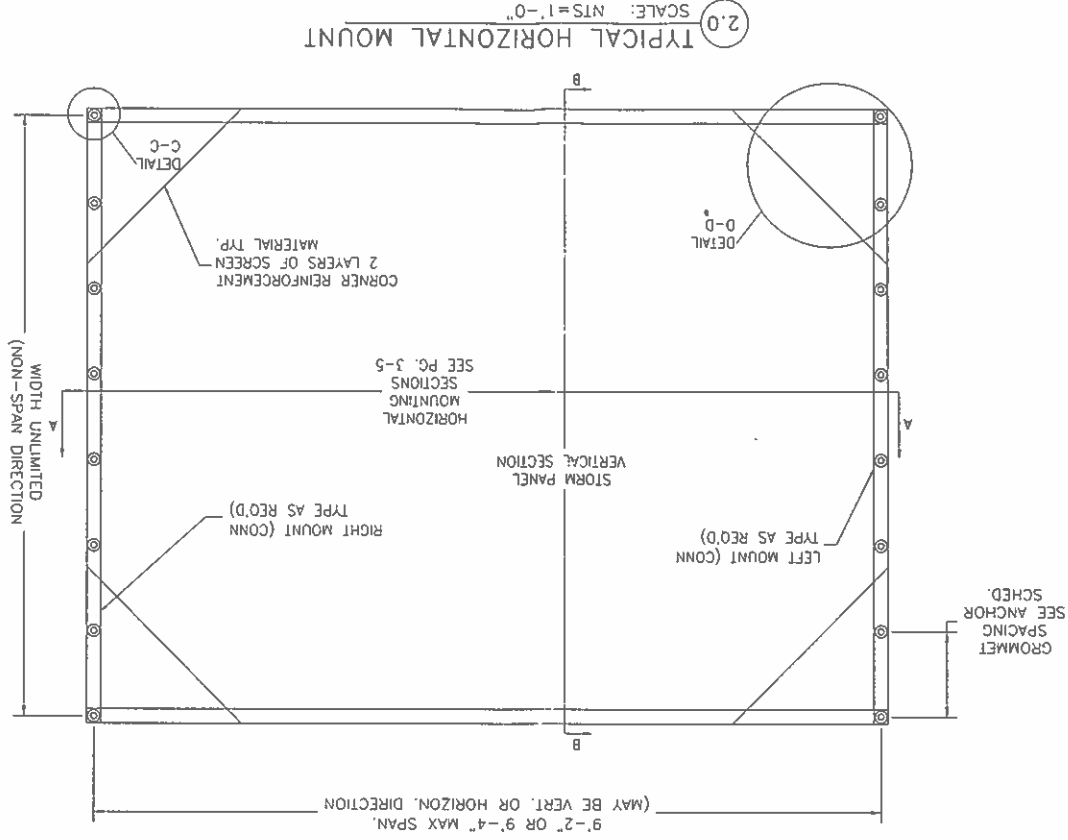
FORCE 12 DIAMOND SCREEN



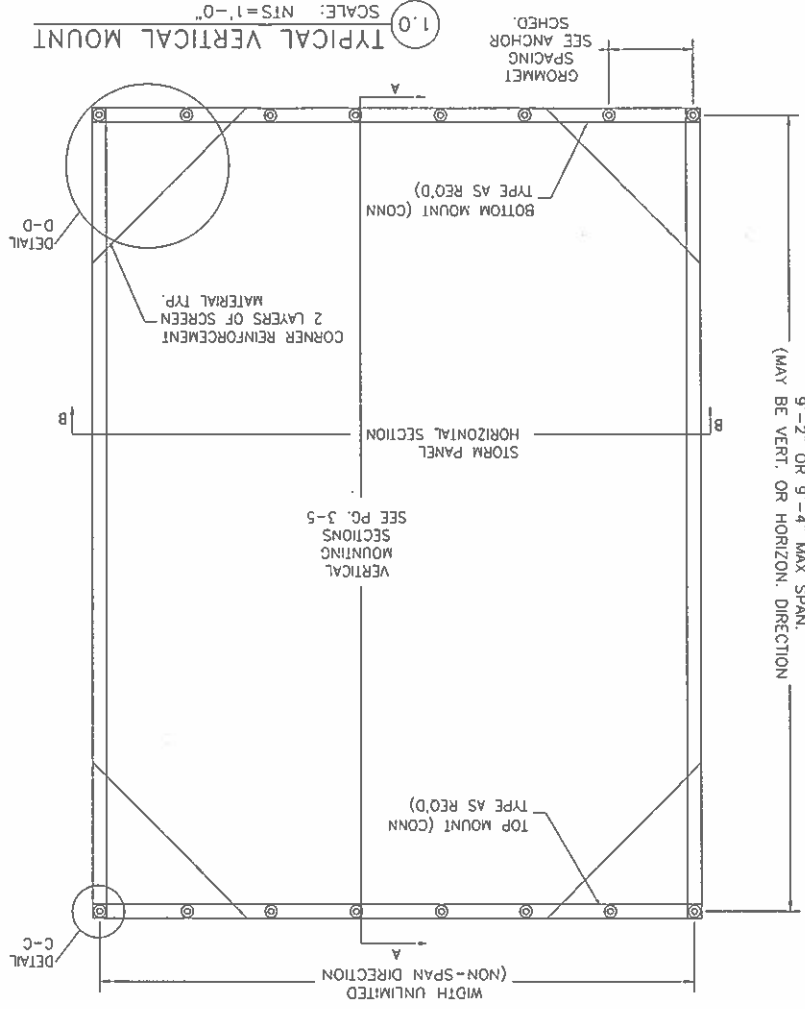
6.0 DETAIL C-C: CORNER GROMMET
SCALE: NTS=1'-0"



7.0 DETAIL B-B: HORIZONTAL SECTION
SCALE: NTS=1'-0"



2.0 TYPICAL HORIZONTAL MOUNT
SCALE: NTS=1'-0"



1.0 TYPICAL VERTICAL MOUNT
SCALE: NTS=1'-0"

- SPAN NOTES:**
1. ALLOWABLE PRESSURES SHALL NOT BE EXCEEDED.
 2. PANEL SPANS LONGER THAN THE MAXIMUM NOTED WITHIN THESE DOCUMENTS ARE NOT ACCEPTABLE.
 3. PANEL SPANS LESS THAN THE MINIMUM NOTED WITHIN THESE DOCUMENTS ARE NOT ACCEPTABLE.
 4. NO SEPARATION FROM GLASS IS REQUIRED WHEN PANEL SPAN IS GREATER THAN MINIMUM SPAN NOTED.
 5. VALID FOR PANELS MOUNTED VERTICALLY OR HORIZONTALLY.

- GENERAL NOTES:**
1. THIS STORM PANEL SYSTEM IN ACCORDANCE WITH THE 2009 INTERNATIONAL BUILDING CODE (IBC) AND THE 2009 INTERNATIONAL RESIDENTIAL CODE (IRC).
 2. THIS PRODUCT MEETS ASCE 7-10 REQUIREMENTS.
 3. POSITIVE AND NEGATIVE DESIGN PRESSURES TO BE USED WITH THESE DRAWINGS SHALL BE DETERMINED BY OTHERS FOR SPECIFIC JOBS IN ACCORDANCE WITH THE GOVERNING CODE. WHEN CALCULATING LOAD COMBINATIONS PER ASCE 7-10, USE OF DIRECTIONALITY FACTOR EVALUATION AS A LARGE MISSILE IMPACT PROTECTIVE SYSTEM.
 4. THIS SHUTTER SYSTEM HAS BEEN SUBMITTED TO ICC-ES FOR EVALUATION AS A LARGE MISSILE IMPACT PROTECTIVE SYSTEM.
 5. NO 33-1/3% INCREASE IN ALLOWABLE STRESS HAS BEEN USED IN THE DESIGN OF THIS PRODUCT. WIND LOAD DURATION FACTOR CD=1.65 HAS BEEN USED FOR WOOD ANCHOR DESIGN.
 6. THE SHUTTER SYSTEM DETAILED HEREIN IS GENERIC AND DOES NOT PROVIDE INFORMATION FOR A SPECIFIC SITE. IF SITE CONDITIONS DEVIATE FROM THE CONDITIONS DETAILED HEREIN, A LICENSED ENGINEER OR REGISTERED ARCHITECT SHALL PREPARE A SITE SPECIFIC DOCUMENT TO BE USED IN CONJUNCTION WITH THIS DOCUMENT.
 7. PERMIT HOLDER SHALL VERIFY THE ADEQUACY OF THE EXISTING STRUCTURE TO WITHSTAND NEW SUPERIMPOSED LOADS.
 8. STORM PANELS SHALL BE WOVEN POLYPROPYLENE FABRIC (THICKNESS t=0.021") WITH A MIN. WEIGHT = 7.8 OZ/SQYD.
 9. PANELS SHOULD BE PERMANENTLY LABELED WITH A MINIMUM OF ONE LABEL PER PANEL AS FOLLOWS:
 FORCE 12 - SERIES 100 - DIAMOND SCREEN
 DESIGN PRESSURE RATING:
 HENDEE ENTERPRISES INC.
 THIS PRODUCT IS DESIGNED IN COMPLIANCE WITH:
 ASTM E 1886-03 (LARGE MISSILE/CYCLIC LOAD)
 ASTM E 1996-09 (LARGE MISSILE/CYCLIC LOAD)
 ASTM E 330-02 (UNIFORM STATIC LOAD PRESSURE)
 IMPACT RESISTANT: LARGE AND SMALL MISSILE IMPACT
 10. STORM PANELS HAVE BEEN DESIGNED AND TESTED TO THE MAXIMUM SPAN AND LOADS SHOWN ON THESE DRAWINGS. REFERENCE HURRICANE TEST LABORATORY, LLC (HTL), RIVERA BEACH, FL, TEST REPORTS.
 11. PANELS MAY BE MOUNTED HORIZONTALLY WHERE APPLICABLE (i.e. WITH LINE OF ANCHORAGE IN VERTICAL DIRECTION).
 12. ALL BOLTS & WASHERS SHALL BE ZINC COATED, GALVANIZED OR STAINLESS STEEL WITH A MINIMUM TENSILE STRENGTH OF 60 KSI.
 13. ALL ACCEPTANCE CRITERIA HAVE BEEN MET FOR THIS SHUTTER AS A NON-POROUS SYSTEM, AS DEFINED IN ASTM E1996. IN KEEPING WITH THIS STANDARD, NO MINIMUM SEPARATION FROM THIS GLAZING BEING PROTECTED IS REQUIRED, AND BREAKING OF THIS GLAZING DOES NOT COMPROMISE THE BUILDING ENVELOPE.
 14. EXPOSED SIDE OPENINGS ALONG UNATTACHED EDGES OF A DEFLECTED SCREEN UNDER NEGATIVE PRESSURE SHALL BE CONSIDERED IN ORDER TO VERIFY COMPLIANCE WITH ALLOWABLE OPENING AREAS FOR EXTERIOR SURFACES AS SPECIFIED BY CODE.

CLIENT: HENDEE ENTERPRISES
LOCATION: HOUSTON, TX
TITLE: FORCE 12 - SERIES 100 - DIAMOND SCREEN
DATE: 10/31/12
REVISION: 0

CONSULTANTS:
 James R. Bailey, P.E.
 Texas PE # 74911
 Pathroom Risk Consulting LLC
 4931 Chappel Hill Dr.
 Missouri City, Texas 77459
 281-403-2925
 Texas Firm # 11044

EXPORT WARNING:
 EXPORT OF THIS DOCUMENT TO COUNTRIES OUTSIDE OF THE U.S. IS SUBJECT TO U.S. EXPORT ADMINISTRATION REGULATIONS.
 HENDEE ENTERPRISES, INC.
 P.O. Box 4389, Houston, TX 77210-0438, 930 South Main St., Houston, TX 77024
 (713) 796-2322; fax (713) 796-0444; (800) 331-5471 (texas)
 COPYRIGHT © 2002
 HENDEE ENTERPRISES, INC.
 ALL RIGHTS RESERVED

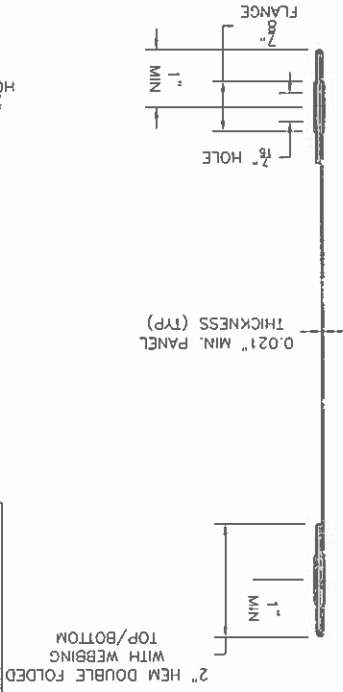
REV	DATE	DESCRIPTION
0	10/31/12	TEXAS DEPARTMENT OF INSURANCE SUBMITTAL

CHECKED BY: [Signature]
DRAWN BY: M.C.
FILE NAME: F-12 DIAMOND
JOB NUMBER: DE507
DOCUMENT DATE: 07/26/07
SHEET: 1.0

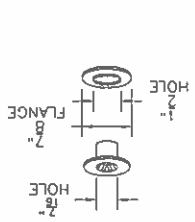


James R. Bailey
 11/1/12

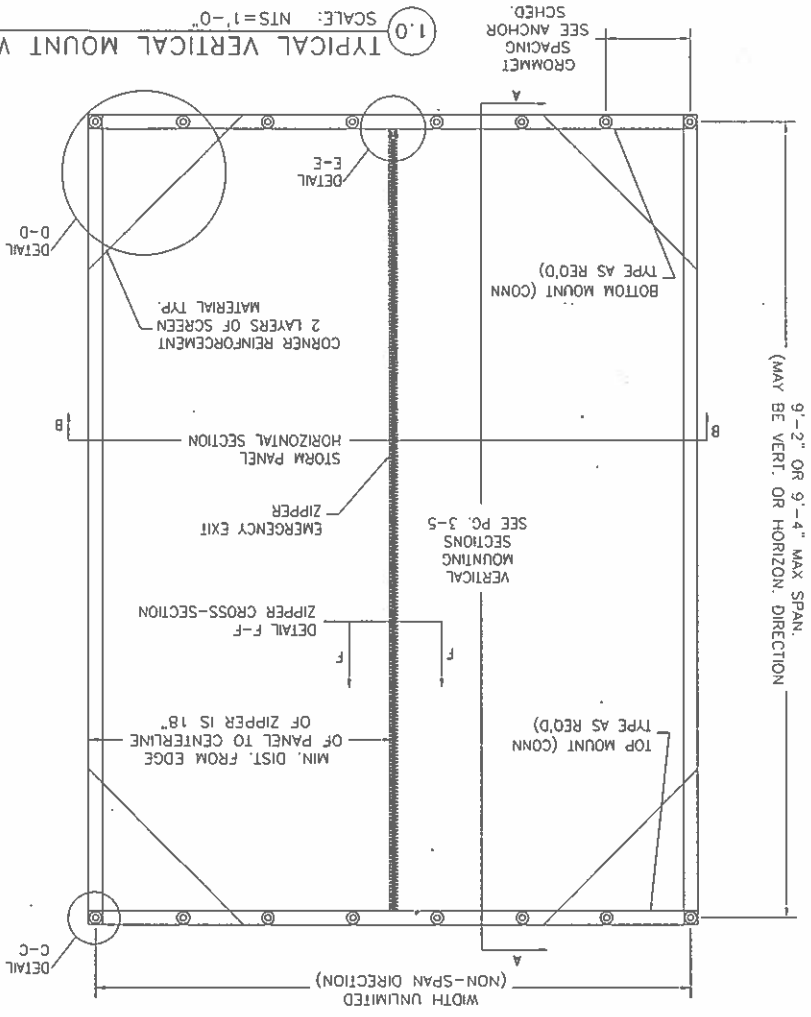
FORCE 12 DIAMOND SCREEN [ZIPPER APPLICATION]



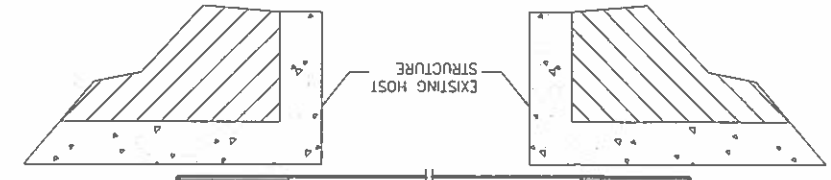
3.0 PANEL PROFILE
SCALE: NTS=1'-0"



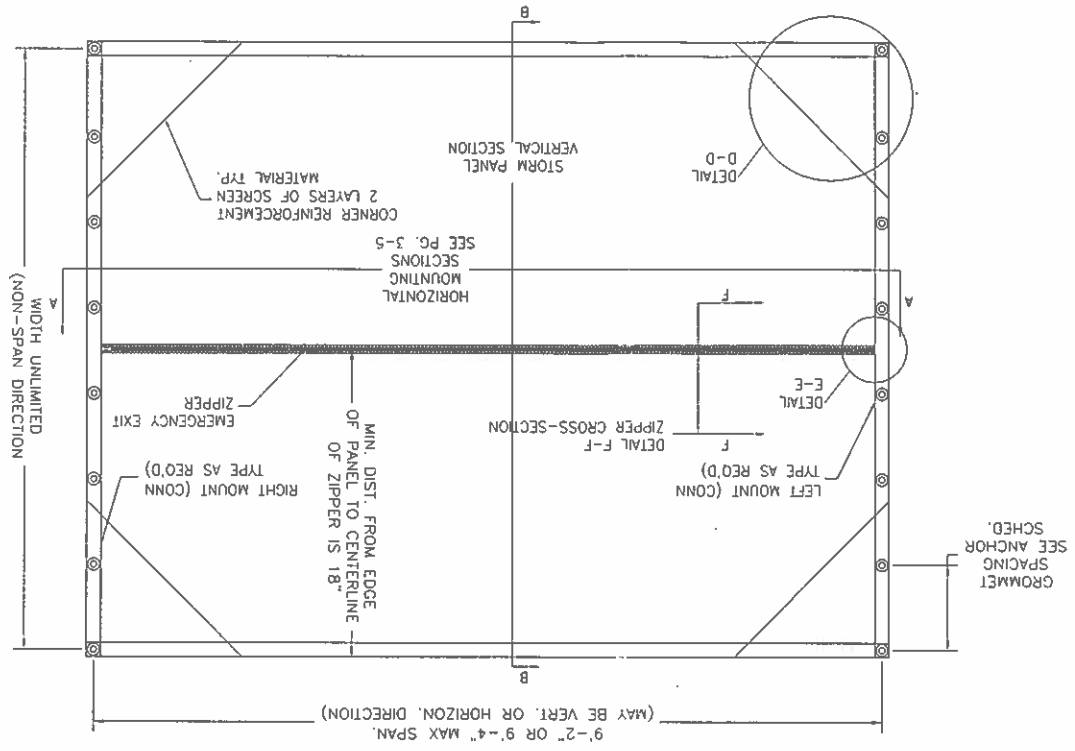
5.0 DETAIL D-D: CORNER REINFORCEMENT
SCALE: NTS=1'-0"



1.0 TYPICAL VERTICAL MOUNT W/ ZIPPER
SCALE: NTS=1'-0"

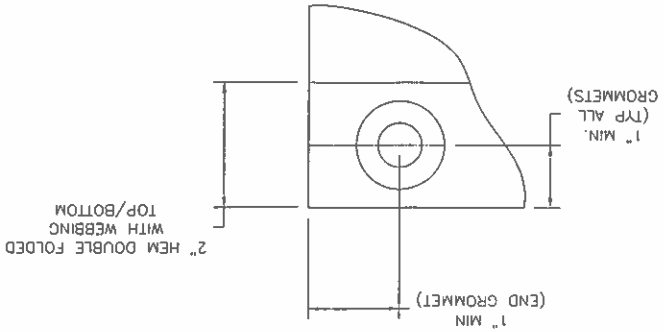


7.0 DETAIL B-B: HORIZONTAL SECTION
SCALE: NTS=1'-0"

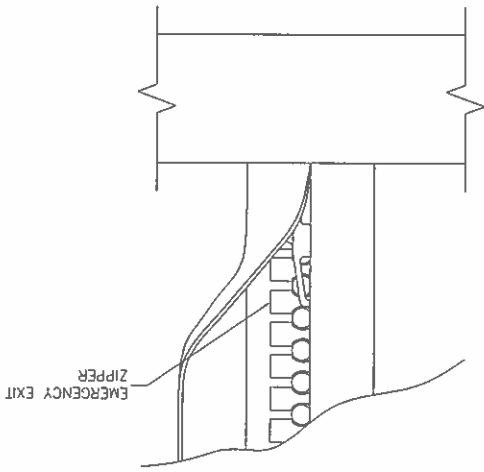


2.0 TYPICAL HORIZONTAL MOUNT W/ ZIPPER
SCALE: NTS=1'-0"

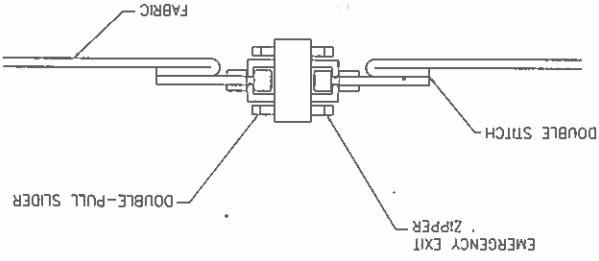
6.0 DETAIL C-C: CORNER GROMMET
SCALE: NTS=1'-0"



8.0 DETAIL E-E: ZIPPER POCKET
SCALE: NTS=1'-0"



9.0 DETAIL F-F: ZIPPER CROSS SECTION
SCALE: NTS=1'-0"



James R. Bailey
11/11/12

SHEET 2.0

CHECKED BY: MC
DRAWN BY: MC
FILE NAME: F-12 DIAMOND
JOB NUMBER: DCS01
DOCUMENT DATE: 07/26/07

REV	DATE	DESCRIPTION
1	10/31/12	TEXAS DEPARTMENT OF INSURANCE SUBMITTAL

CLIENT: HENDEE ENTERPRISES
LOCATION: HOUSTON, TX
TITLE: FORCE 12 - SERIES 100 - DIAMOND SCREEN
DATE: 10/31/12
REVISION: 0

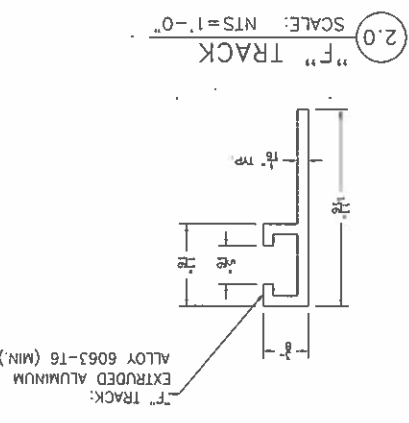
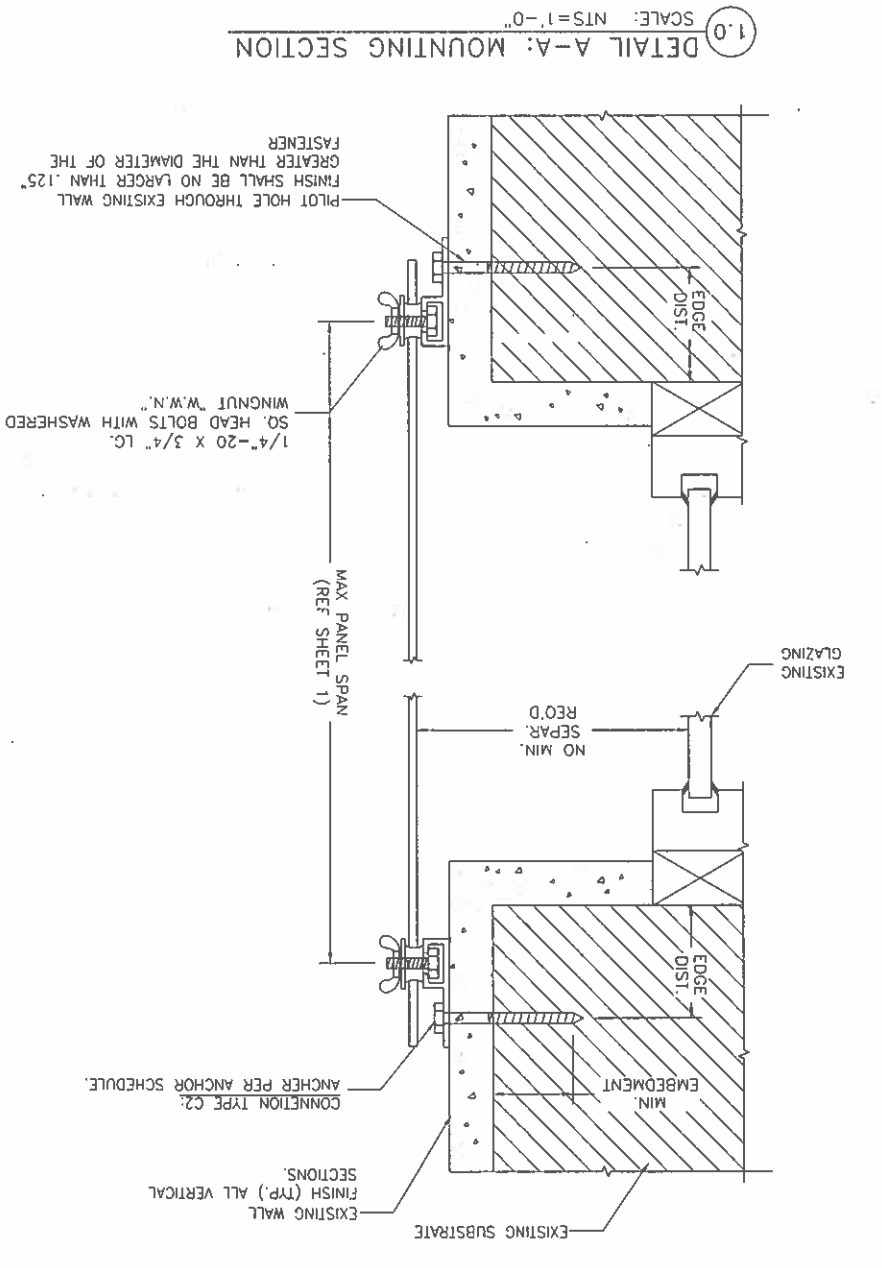
CONSULTANTS:
James R. Bailey, P.E.
Texas PE # 74911
Pattinson Risk Consulting LLC
4931 Chappel Hill Dr.
Missouri City, Texas 77459
281-403-2625
Texas Firm # 11044

Hendee Enterprises, Inc.
The Innovative Solutions Company
P.O. Box 4289, Houston, TX 77210-4289 9300 Sabin Point Dr., Houston, TX 77054
(713) 596-5322; Fax (713) 786-0744; (800) 231-7729 (toll); (800) 233-8411 (texas)
COPYRIGHT © 2002
HENDEE ENTERPRISES, INC.
EXPORT WARNING:
EXPORT OF THIS DOCUMENT TO COUNTRIES OUTSIDE OF THE U.S. IS SUBJECT TO U.S. EXPORT ADMINISTRATION REGULATIONS.

EXPORT ADMINISTRATION REGULATIONS.

MAXIMUM ALLOWABLE PRESSURES		
WOOD	CONCRETE	HOLLOW CONCRETE BLOCK
-60.0 PSF & -60.0 PSF	+60.0 PSF & -60.0 PSF	+60.0 PSF & -60.0 PSF
TRACK MOUNT ZIPPER		
WOOD	CONCRETE	HOLLOW CONCRETE BLOCK
-68.0 PSF & +68.0 PSF	-66.0 PSF & +66.0 PSF	-63.0 PSF & +63.0 PSF

MAXIMUM ALLOWABLE PRESSURES		
WOOD	CONCRETE	HOLLOW CONCRETE BLOCK
-68.0 PSF & +68.0 PSF	-66.0 PSF & +66.0 PSF	-63.0 PSF & +63.0 PSF
TRACK MOUNT NON-ZIPPER		
WOOD	CONCRETE	HOLLOW CONCRETE BLOCK
9'-3"	9'-4"	9'-3"
MAXIMUM ALLOWABLE WIDTH (NON-SPAN DIMENSION)		
12.0'	12.0'	12.0'



ANCHOR SCHEDULE 3-A

HOST STRUCTURE	ANCHOR	LOAD (psf)	SPANS UP TO	CONN TYPE	SPANS UP TO	CONN TYPE	SPANS UP TO	CONN TYPE	DESCRIPTION	
HOLLOW CONCRETE BLOCK	1/4" TAPCON (ELCO) WITH 1-1/4" EMBED (1500psi MIN CONC. BLOCK)	23	11"	C2	11"	C2	11"	C2	SET INSIDE "F" TRACK WITH WASHER WING NUT SO. HEAD THREADED STUD. 1/4"-20 X 3/4"	
		42	11"	C2	11"	C2	11"	C2		
		50	11"	C2	11"	C2	11"	C2		
		50	11"	C2	11"	C2	11"	C2		
		63	9"	C2	9"	C2	9"	C2		
	HOLLOW BLOCK	1/4" TAPCON (ELCO) WITH 1-1/4" EMBED (1500psi MIN CONC. BLOCK)	23	11"	C2	11"	C2	11"	C2	SET INSIDE "F" TRACK WITH WASHER WING NUT SO. HEAD THREADED STUD. 1/4"-20 X 3/4"
			42	11"	C2	11"	C2	11"	C2	
			50	11"	C2	11"	C2	11"	C2	
			50	11"	C2	11"	C2	11"	C2	
			63	9"	C2	9"	C2	9"	C2	

HOLLOW CONCRETE BLOCK

ANCHOR SCHEDULE 2-A

HOST STRUCTURE	ANCHOR	LOAD (psf)	SPANS UP TO	CONN TYPE	SPANS UP TO	CONN TYPE	SPANS UP TO	CONN TYPE	DESCRIPTION	
CONCRETE	1/4" TAPCON (ELCO) WITH 1-3/4" EMBED (3200psi MIN CONC)	23	14"	C2	14"	C2	14"	C2	SET INSIDE "F" TRACK WITH WASHER WING NUT SO. HEAD THREADED STUD. 1/4"-20 X 3/4"	
		43	14"	C2	14"	C2	14"	C2		
		53	14"	C2	14"	C2	14"	C2		
		53	13"	C2	13"	C2	13"	C2		
		66	11"	C2	11"	C2	11"	C2		
	CONCRETE	1/4" TAPCON (ELCO) WITH 1-3/4" EMBED (3200psi MIN CONC)	23	14"	C2	14"	C2	14"	C2	SET INSIDE "F" TRACK WITH WASHER WING NUT SO. HEAD THREADED STUD. 1/4"-20 X 3/4"
			43	14"	C2	14"	C2	14"	C2	
			53	14"	C2	14"	C2	14"	C2	
			53	13"	C2	13"	C2	13"	C2	
			66	11"	C2	11"	C2	11"	C2	

CONCRETE (3200 psi)

ANCHOR SCHEDULE 1-A

HOST STRUCTURE	ANCHOR	LOAD (psf)	SPANS UP TO	CONN TYPE	SPANS UP TO	CONN TYPE	SPANS UP TO	CONN TYPE	DESCRIPTION	
WOOD	#14 WOOD SCREW WITH MIN. 1-1/2" MIN. EMBED	23	14"	C2	14"	C2	14"	C2	SET INSIDE "F" TRACK WITH WASHER WING NUT SO. HEAD THREADED STUD. 1/4"-20 X 3/4"	
		44	14"	C2	14"	C2	14"	C2		
		52	13"	C2	13"	C2	13"	C2		
		52	10"	C2	10"	C2	10"	C2		
		68	8"	C2	8"	C2	8"	C2		
	WOOD	#14 WOOD SCREW WITH MIN. 1-1/2" MIN. EMBED	23	14"	C2	14"	C2	14"	C2	SET INSIDE "F" TRACK WITH WASHER WING NUT SO. HEAD THREADED STUD. 1/4"-20 X 3/4"
			44	14"	C2	14"	C2	14"	C2	
			52	13"	C2	13"	C2	13"	C2	
			52	10"	C2	10"	C2	10"	C2	
			68	8"	C2	8"	C2	8"	C2	

WOOD FRAME

NOTE: ANCHOR SCHEDULE NOTES, SEE SHEET 3.0



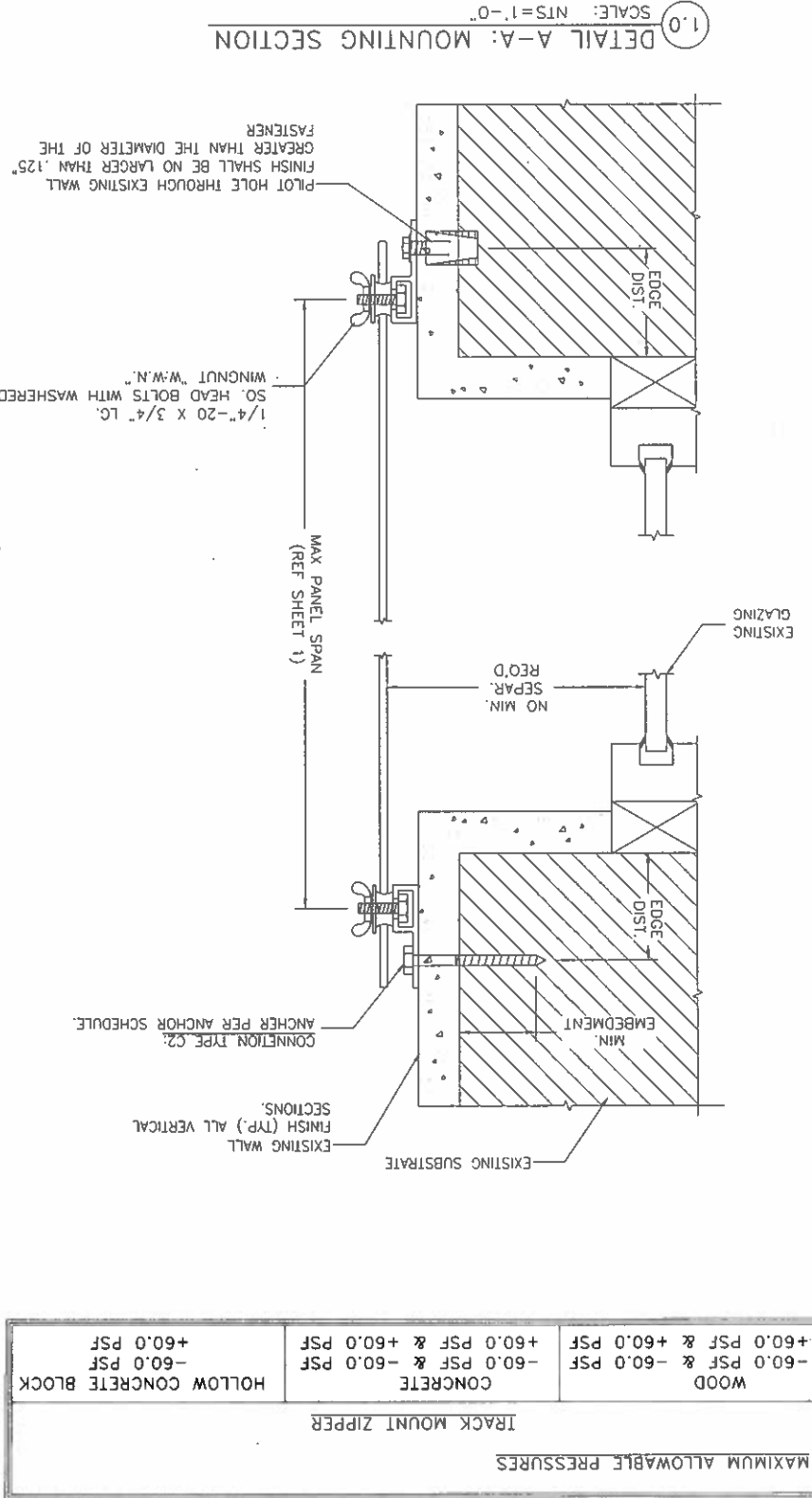
James R. Bailey
11/11/12

SHEET: 4.0
CHECKED BY: PAR
DRAWN BY: F-12 DWGNO
JOB NUMBER: DC507
DOCUMENT DATE: 07/26/07

CLIENT: HENDEE ENTERPRISES
LOCATION: HOUSTON, TX
TITLE: FORCE 12 - SERIES 100 - DIAMOND SCREEN
DATE: 10/31/12
REVISION: 0

CONSULTANTS:
James R. Bailey, P.E. Texas PE # 74911
Platinum Risk Consulting LLC 4931 Chappel Hill Dr. Missouri City, Texas 77459 281-483-2925 Texas Firm # 11844

<p>Hendee Enterprises, Inc. The Innovative Solutions Company P.O. Box 389 Houston, TX 77108-0389 (713) 768-2322 Fax (713) 768-9494 Copyright © 2002 Hendee Enterprises, Inc. All Rights Reserved.</p>	<p>EXPORT WARNING: EXPORT OF THIS DOCUMENT TO COUNTRIES OUTSIDE OF THE U.S. IS SUBJECT TO U.S. EXPORT ADMINISTRATION REGULATIONS.</p>
---	---



MAXIMUM ALLOWABLE PRESSURES

WOOD	-60.0 PSF & -60.0 PSF	+60.0 PSF & +60.0 PSF
CONCRETE	-60.0 PSF & -60.0 PSF	+60.0 PSF & +60.0 PSF
HOLLOW CONCRETE BLOCK	-60.0 PSF	+60.0 PSF

TRACK MOUNT ZIPPER

MAXIMUM ALLOWABLE PRESSURES

WOOD	-68.0 PSF & +68.0 PSF	9'-3"
CONCRETE	-66.0 PSF & +66.0 PSF	9'-4"
HOLLOW CONCRETE BLOCK	-63.0 PSF & +63.0 PSF	9'-3"

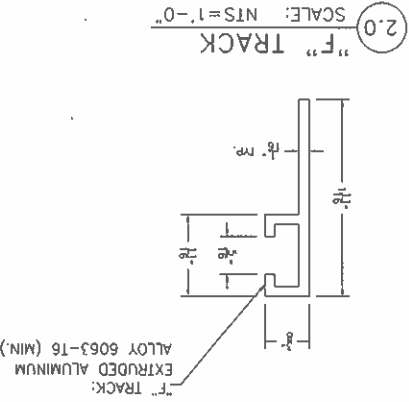
TRACK MOUNT NON-ZIPPER

MAXIMUM ALLOWABLE SPAN

WOOD	12.0"
CONCRETE	12.0"
HOLLOW CONCRETE BLOCK	12.0"

MINIMUM ALLOWABLE WIDTH (NON-SPAN DIMENSION)

MINIMUM ALLOWABLE SPAN:



NOTE: ANCHOR SCHEDULE NOTES, SEE SHEET 3.0



James R. Bailey
11/11/12

ANCHOR SCHEDULE 3

HOST STRUCTURE	ANCHOR	LOAD (psf)	1/4"-20 ALL POINTS SOLID-SET ANCHOR WITH MIN 7/8" EMBEDMENT	HOLLOW BLOCK	EMBED (FEMALE) WITH 1-1/4" MIN.
SPANS UP TO 2" MIN EDGE DISTANCE (UNLESS NOTED OTHERWISE)	C1	61	12"	12"	4"
			11"	11"	4"
SPANS UP TO 6'-4" CONN TYPE	C1	54	12"	10"	4"
			9"	9"	4"
SPANS UP TO 9'-4" CONN TYPE	C1	47	12"	10"	4"
			9"	9"	4"
SPANS UP TO 12" CONN TYPE	C1	36	12"	10"	4"
			10"	10"	4"

ANCHOR SCHEDULE 2

HOST STRUCTURE	ANCHOR	LOAD (psf)	1/4"-20 ALL POINTS SOLID-SET ANCHOR W/ 7/8" MIN EMBED (3200psi MIN CONC)	CONCRETE	EMBED (FEMALE) WITH 1-1/4" MIN.
SPANS UP TO 2" MIN EDGE DISTANCE (UNLESS NOTED OTHERWISE)	C1	25	18"	18"	6"
			18"	18"	6"
SPANS UP TO 6'-4" CONN TYPE	C1	29	18"	16"	6"
			16"	16"	6"
SPANS UP TO 9'-4" CONN TYPE	C1	47	18"	15"	6"
			15"	15"	6"
SPANS UP TO 12" CONN TYPE	C1	54	18"	13"	6"
			13"	13"	6"
SPANS UP TO 18" CONN TYPE	C1	72	18"	11"	6"
			11"	11"	6"
SPANS UP TO 26" CONN TYPE	C1	26	12"	12"	6"
			12"	12"	6"
SPANS UP TO 36" CONN TYPE	C1	36	12"	12"	6"
			12"	12"	6"
SPANS UP TO 47" CONN TYPE	C1	47	12"	12"	6"
			12"	12"	6"
SPANS UP TO 54" CONN TYPE	C1	54	12"	12"	6"
			12"	12"	6"
SPANS UP TO 66" CONN TYPE	C1	66	12"	12"	6"
			12"	12"	6"

CONCRETE (3200 psi)

SHEET: 5.0

CHECKED BY: PAR

DRAWN BY: PAR

FILE NAME: F-12 DIAMOND

JOB NUMBER: DE507

DOCUMENT DATE: 07/26/07

DATE: 10/31/12

REVISION: 0

TITLE: FORCE 12 - SERIES 100 - DIAMOND SCREEN

LOCATION: HOUSTON, TX

CLIENT: HENDEE ENTERPRISES

DESCRIPTION: TEXAS DEPARTMENT OF INSURANCE SUBMITTAL

BY: REV: DATE

0 10/31/12

THIS DOCUMENT, INCLUDING CONTINUING AND AS-BUILT RECORDS, IS THE PROPERTY OF HENDEE ENTERPRISES, INC. AND IS TO BE USED ONLY FOR THE PROJECT AND SITE SPECIFICALLY IDENTIFIED HEREIN. ANY REUSE OR REPRODUCTION OF THIS DOCUMENT WITHOUT THE WRITTEN PERMISSION OF HENDEE ENTERPRISES, INC. IS STRICTLY PROHIBITED. HENDEE ENTERPRISES, INC. SHALL BE RESPONSIBLE FOR THE ACCURACY OF THE INFORMATION CONTAINED HEREIN. HENDEE ENTERPRISES, INC. SHALL BE RESPONSIBLE FOR THE ACCURACY OF THE INFORMATION CONTAINED HEREIN. HENDEE ENTERPRISES, INC. SHALL BE RESPONSIBLE FOR THE ACCURACY OF THE INFORMATION CONTAINED HEREIN.

DATE: 10/31/12

REVISION: 0

TITLE: FORCE 12 - SERIES 100 - DIAMOND SCREEN

LOCATION: HOUSTON, TX

CLIENT: HENDEE ENTERPRISES

CONSULTANTS:

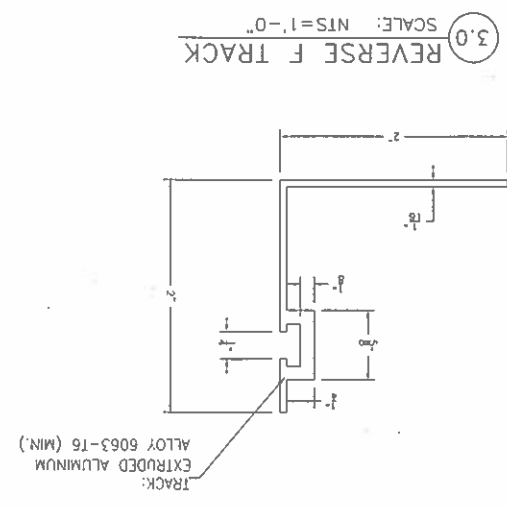
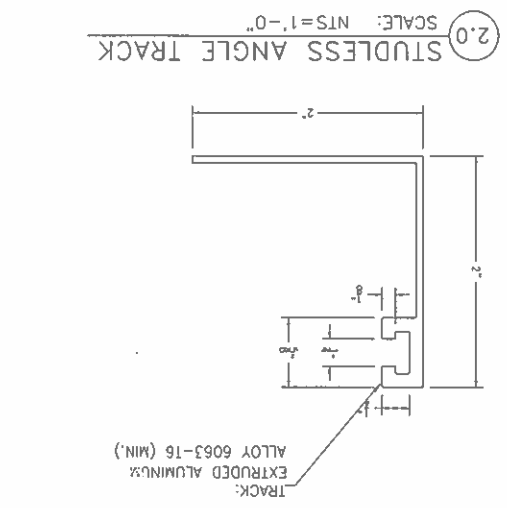
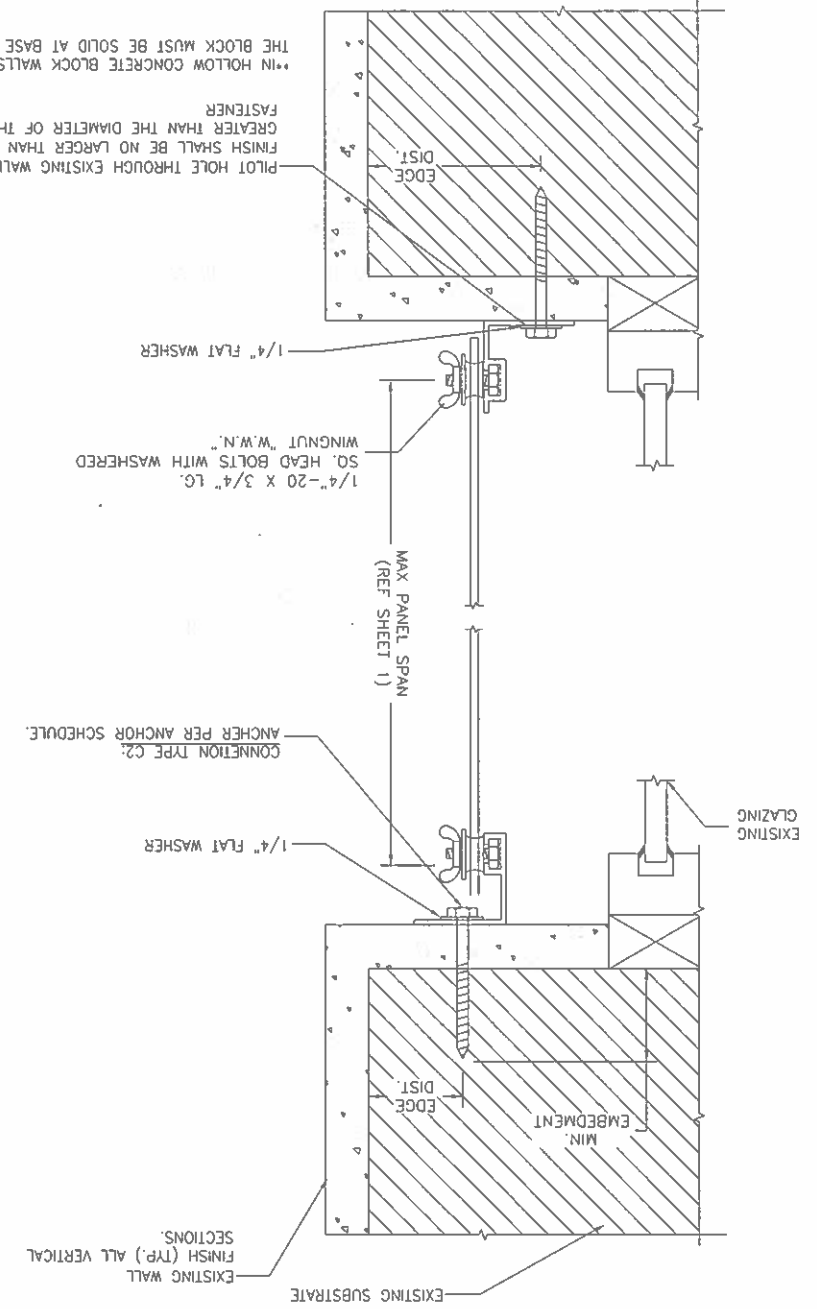
James R. Bailey, P.E.
Texas PE # 74911
Rudolph Risk Consulting, L.L.C.
4931 Chappel Hill Dr.
Missouri City, Texas 77459
281-403-2425
Texas Firm # 11044

Hendee Enterprises, Inc.
The Innovative Solutions Company
P.O. Box 4398, Houston, TX 77210-4398
(713) 796-2322, Fax (713) 796-0404, (800) 231-7275
Copyright © 2002 Hendee Enterprises, Inc. All Rights Reserved.

EXPORT OF THIS DOCUMENT TO COUNTRIES OUTSIDE OF THE U.S. IS SUBJECT TO U.S. EXPORT ADMINISTRATION REGULATIONS.

MAXIMUM ALLOWABLE PRESSURES	
TRACK MOUNT ZIPPER	CONCRETE
	-60.0 PSF & -60.0 PSF
	+60.0 PSF & +60.0 PSF
	HOLLOW CONCRETE BLOCK
	-54.0 PSF
	+54.0 PSF

MAXIMUM ALLOWABLE PRESSURES	
TRACK MOUNT NON-ZIPPER	CONCRETE
	-66.0 PSF & +66.0 PSF
	HOLLOW CONCRETE BLOCK
	-54.0 PSF & +54.0 PSF
	CONCRETE
	9'-4"
	HOLLOW CONCRETE BLOCK
	9'-4"
	MINIMUM ALLOWABLE WIDTH (NON-SPAN DIMENSION)
	12.0"
	12.0"



NOTE: ANCHOR SCHEDULE NOTES, SEE SHEET 3.0



James R. Bailey
10/31/12

ANCHOR SCHEDULE 3-B

1/4" TAPCON (ELCO)	11"	11"	11"	18
WITH 1-1/4" EMBED AND 1/4" FLAT SS WASHER	11"	11"	11"	28
(1500psi MIN CONC. BLOCK)	11"	9"	11"	34
	10"	8"	10"	42
	10"	6"	10"	54
1/4"-20 X 3/4" SO. HEAD THREADED STUD WITH WASHER WING NUT SET INSIDE F. TRACK.	12"	12"	12"	18
	12"	12"	12"	28
	12"	12"	12"	34
	12"	12"	12"	42
	12"	12"	12"	54

UNIFORM LOAD (psf)
SPANS UP TO 4'-4" CONN TYPE C2
SPANS UP TO 6'-4" CONN TYPE C2
SPANS UP TO 9'-4" CONN TYPE C2

2-1/2" MIN EDGE DISTANCE (UNLESS NOTED OTHERWISE)

ANCHOR SCHEDULE 2-B

1/4" TAPCON (ELCO)	14"	14"	14"	23
WITH 1-3/4" EMBED AND 1/4" FLAT SS WASHER	14"	14"	14"	36
(3200psi MIN CONC)	14"	13"	14"	53
	13"	11"	13"	66
	11"	9"	11"	66
	11"	9"	11"	66
1/4"-20 X 3/4" SO. HEAD THREADED STUD WITH WASHER WING NUT SET INSIDE F. TRACK.	12"	12"	12"	23
	12"	12"	12"	36
	12"	12"	12"	43
	12"	12"	12"	53
	12"	12"	12"	66

UNIFORM LOAD (psf)
SPANS UP TO 4'-4" CONN TYPE C2
SPANS UP TO 6'-4" CONN TYPE C2
SPANS UP TO 9'-4" CONN TYPE C2

2" MIN EDGE DISTANCE (UNLESS NOTED OTHERWISE)

HOLLOW CONCRETE BLOCK

CONCRETE (3200 psi)

SHEET: 6.0

CHECKED BY: PAR

DRAWN BY: PAR

FILE NAME: F-12 DIAMOND

JOB NUMBER: DE307

DOCUMENT DATE: 07/26/07

REV	DATE	DESCRIPTION
0	10/31/12	ISSUES DEPARTMENT OF INSURANCE SUBMITTAL

CLIENT: HENDEE ENTERPRISES

LOCATION: HOUSTON, TX

TITLE: FORCE 12 - SERIES 100 - DIAMOND SCREEN

DATE: 10/31/12

REVISION: 0

CONSULTANTS:

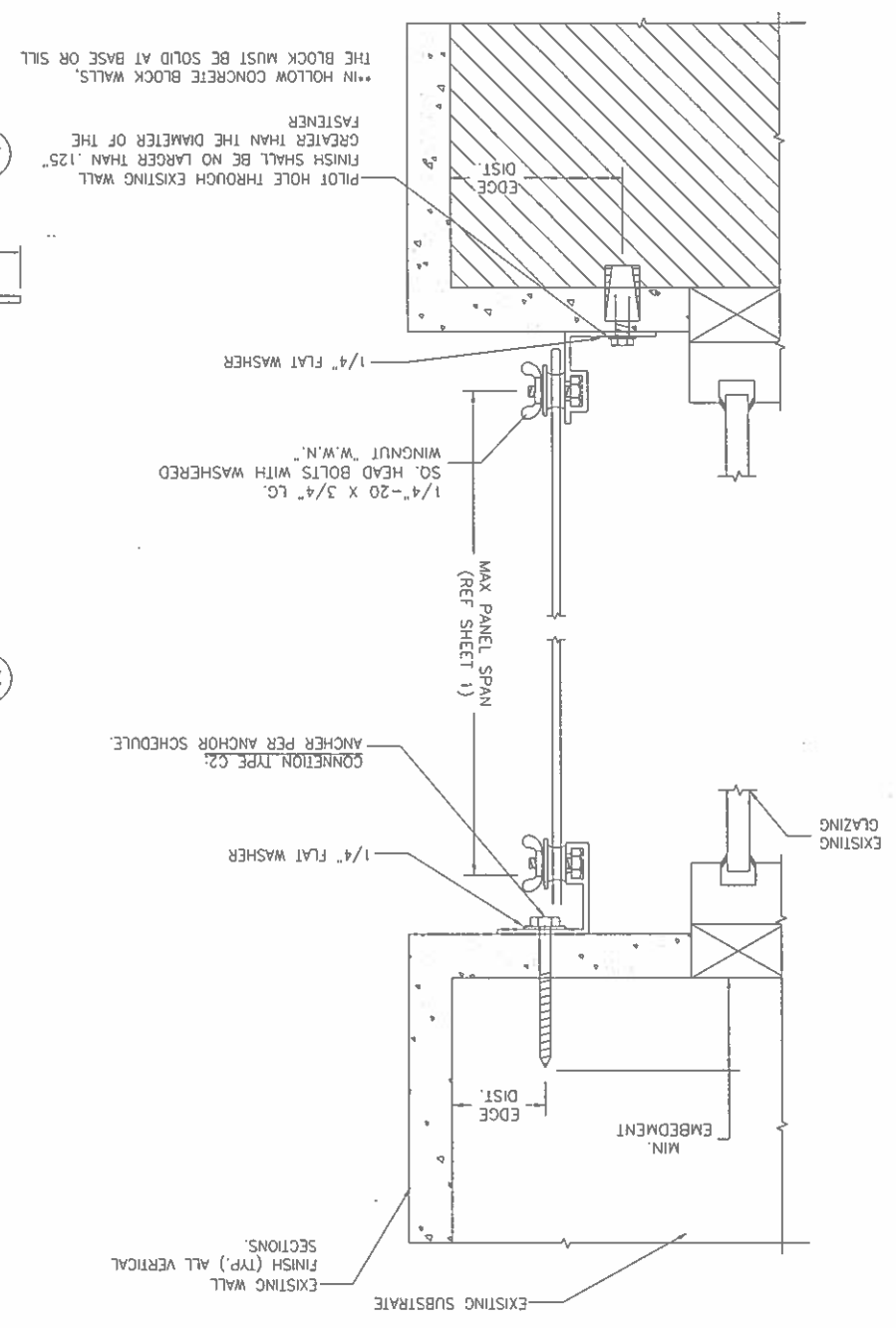
James R. Bailey, P.E.
Texas PE # 74911
Platinum Risk Consulting LLC
4931 Chappel Hill Dr.
Missouri City, Texas 77459
281-403-2925
Texas Firm # 11044

Copyright © 2002 Hendee Enterprises, Inc. The Innovative Solutions Company

Hendee Enterprises, Inc.
P.O. Box 4398, Houston, TX 77210-4398
(713) 786-3322, Fax (713) 786-0044, (800) 231-7275 (toll free), (800) 523-3641 (toll free)

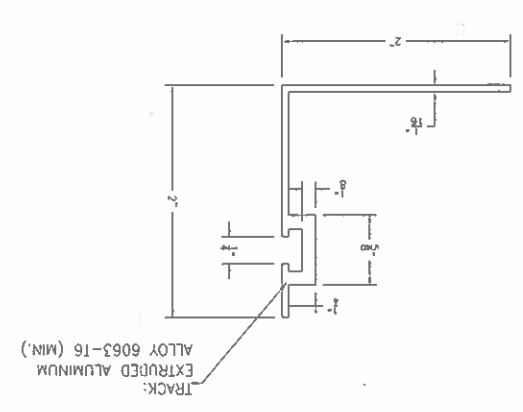
EXPORT OF THIS DOCUMENT TO COUNTRIES OUTSIDE OF THE U.S. IS SUBJECT TO U.S. CUSTOMS ADMINISTRATION REGULATIONS.

DETAIL A-A: MOUNTING SECTION
SCALE: NTS=1'-0"

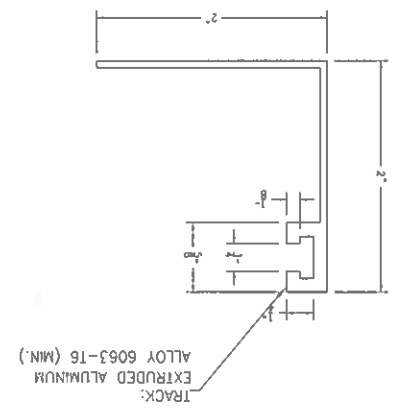


MAXIMUM ALLOWABLE PRESSURES	
CONCRETE	-60.0 PSF & +60.0 PSF
HOLLOW CONCRETE BLOCK	-54.0 PSF & +54.0 PSF

REVERSE F TRACK
SCALE: NTS=1'-0"



STUDLESS ANGLE TRACK
SCALE: NTS=1'-0"



MAXIMUM ALLOWABLE PRESSURES	
CONCRETE	-66.0 PSF & +66.0 PSF
HOLLOW CONCRETE BLOCK	-54.0 PSF & +54.0 PSF

TRACK MOUNT NON-ZIPPER	
CONCRETE	12.0"
HOLLOW CONCRETE BLOCK	9'-4"

NOTE: ANCHOR SCHEDULE NOTES, SEE SHEET 3.0



James R. Bailey
10/31/12

ANCHOR SCHEDULE 3

HOST STRUCTURE	ANCHOR	LOAD (psf)	SPANS UP TO	CONN TYPE	CONN TYPE	SPANS UP TO	EMBED	DESCRIPTION
HOLLOW BLOCK	1/4" ELCO PANELMATE (FEMALE) WITH 1-1/4" MIN. EMBED	61	7"	C1	C1	10"	4"	1/4" ELCO PANELMATE (FEMALE) WITH 1-1/4" MIN. EMBED
		54	8"	C1	C1	10"	4"	1/4" ELCO PANELMATE (FEMALE) WITH 1-1/4" MIN. EMBED
		47	9"	C1	C1	10"	5"	1/4" ELCO PANELMATE (FEMALE) WITH 1-1/4" MIN. EMBED
		36	10"	C1	C1	10"	6"	1/4" ELCO PANELMATE (FEMALE) WITH 1-1/4" MIN. EMBED
		18	10"	C1	C1	10"	10"	1/4" ELCO PANELMATE (FEMALE) WITH 1-1/4" MIN. EMBED
	1/4-20 ALL POINTS SOLID- SET ANCHOR WITH MIN 7/8" EMBEDMENT	61	7"	C1	C1	10"	4"	1/4-20 ALL POINTS SOLID- SET ANCHOR WITH MIN 7/8" EMBEDMENT
		54	8"	C1	C1	10"	4"	1/4-20 ALL POINTS SOLID- SET ANCHOR WITH MIN 7/8" EMBEDMENT
		47	9"	C1	C1	10"	5"	1/4-20 ALL POINTS SOLID- SET ANCHOR WITH MIN 7/8" EMBEDMENT
		38	12"	C1	C1	10"	8"	1/4-20 ALL POINTS SOLID- SET ANCHOR WITH MIN 7/8" EMBEDMENT
		22	12"	C1	C1	12"	12"	1/4-20 ALL POINTS SOLID- SET ANCHOR WITH MIN 7/8" EMBEDMENT

HOLLOW CONCRETE BLOCK

ANCHOR SCHEDULE 2

HOST STRUCTURE	ANCHOR	LOAD (psf)	SPANS UP TO	CONN TYPE	CONN TYPE	SPANS UP TO	EMBED	DESCRIPTION
CONCRETE	1/4" ELCO PANELMATE (FEMALE) WITH 1-1/4" MIN. EMBED	66	10"	C1	C1	10"	6"	1/4" ELCO PANELMATE (FEMALE) WITH 1-1/4" MIN. EMBED
		54	12"	C1	C1	10"	6"	1/4" ELCO PANELMATE (FEMALE) WITH 1-1/4" MIN. EMBED
		47	12"	C1	C1	10"	7"	1/4" ELCO PANELMATE (FEMALE) WITH 1-1/4" MIN. EMBED
		36	12"	C1	C1	10"	9"	1/4" ELCO PANELMATE (FEMALE) WITH 1-1/4" MIN. EMBED
		26	12"	C1	C1	12"	12"	1/4" ELCO PANELMATE (FEMALE) WITH 1-1/4" MIN. EMBED
	1/4-20 ALL POINTS SOLID- SET ANCHOR W/ 7/8" MIN EMBED (3200psi MIN CONC)	72	14"	C1	C1	10"	8"	1/4-20 ALL POINTS SOLID- SET ANCHOR W/ 7/8" MIN EMBED (3200psi MIN CONC)
		54	18"	C1	C1	10"	8"	1/4-20 ALL POINTS SOLID- SET ANCHOR W/ 7/8" MIN EMBED (3200psi MIN CONC)
		47	18"	C1	C1	10"	11"	1/4-20 ALL POINTS SOLID- SET ANCHOR W/ 7/8" MIN EMBED (3200psi MIN CONC)
		29	18"	C1	C1	10"	16"	1/4-20 ALL POINTS SOLID- SET ANCHOR W/ 7/8" MIN EMBED (3200psi MIN CONC)
		25	18"	C1	C1	18"	18"	1/4-20 ALL POINTS SOLID- SET ANCHOR W/ 7/8" MIN EMBED (3200psi MIN CONC)

CONCRETE (3200 psi)

CHECKED BY: PAR
DRAWN BY: PAR
FILE NAME: F-12 DIAMOND
JOB NUMBER: DE507
DOCUMENT DATE: 07/26/07
SHEET: 7.0

CLIENT: HENDEE ENTERPRISES
LOCATION: HOUSTON, TX
TITLE: FORCE 12 - SERIES 100 - DIAMOND SCREEN
DATE: 10/31/12
REVISION: 0

CONSULTANTS:
James R. Bailey, P.E.
Texas PE # 74911
Pulsman Risk Consulting, LLC
4931 Chappel Blvd. Dr.
Missouri City, Texas 77459
281-403-2325
Texas Firm # 11944

Hendee Enterprises, Inc.
The Innovative Solutions Company
P.O. Box 4398 Houston, TX 77210-4398
(713) 796-2322 Fax: (713) 796-0494
COPYRIGHT © 2002
HENDEE ENTERPRISES, INC.
ALL RIGHTS RESERVED
EXPORT OF THIS DOCUMENT TO COUNTRIES
OUTSIDE OF THE U.S. IS SUBJECT TO U.S.
EXPORT ADMINISTRATION REGULATIONS.