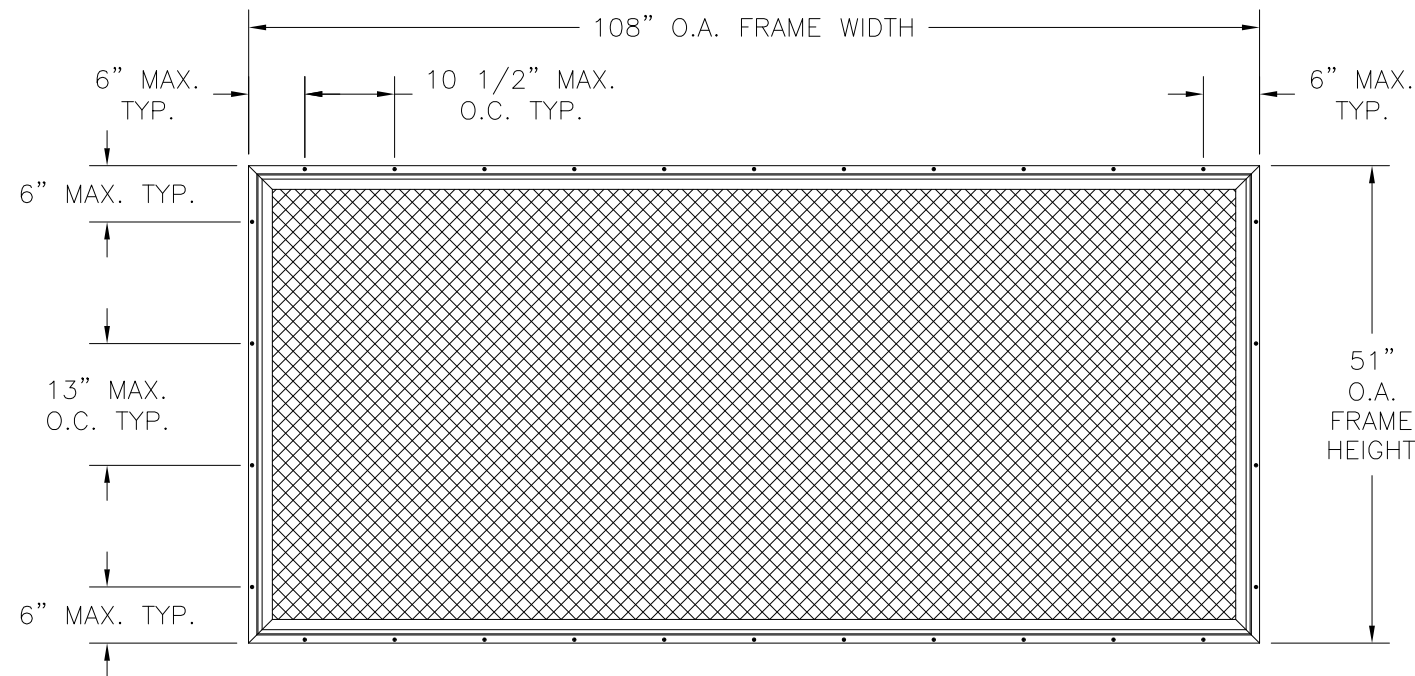


REVISIONS			
REV	DESCRIPTION	DATE	APPROVED
A	METAL STRUCTURE REVISED	7/25/11	R.L.



**200-HV-F ALUMINUM FIXED HURRICANE SCREEN**  
EXTERIOR VIEW

DESIGN PRESSURE RATING	IMPACT RATING
±70PSF	LARGE AND SMALL MISSILE IMPACT

LEVEL E WIND ZONE 4

NOTES:

- 1) THE PRODUCT SHOWN HEREIN IS DESIGNED AND MANUFACTURED TO COMPLY WITH REQUIREMENTS OF THE 2006 INTERNATIONAL BUILDING CODE AND 2006 INTERNATIONAL RESIDENTIAL CODE WITH TEXAS STATE MODIFICATIONS.
- 2) WOOD FRAMING AND MASONRY OPENING TO BE DESIGNED AND ANCHORED TO PROPERLY TRANSFER ALL LOADS TO STRUCTURE. FRAMING AND MASONRY OPENING IS THE RESPONSIBILITY OF THE ARCHITECT OR ENGINEER OF RECORD.
- 3) ALLOWABLE STRESS INCREASE OF 1/3 WAS NOT USED IN THE DESIGN OF THE PRODUCT SHOWN HEREIN. WIND LOAD DURATION FACTOR Cd=1.6 WAS USED FOR WOOD ANCHOR CALCULATIONS.
- 4) FRAME MATERIAL: EXTRUDED ALUMINUM 6063-T5 .080" THICK.
- 5) SCREEN MATERIAL: .035" STAINLESS STEEL 12 x 12 MESH WIRE WITH NATURAL FINISH OR PAINTED.
- 6) SHIM AS REQUIRED AT EACH INSTALLATION ANCHOR WITH LOAD BEARING SHIM. SHIM WHERE SPACE OF 1/16" OR GREATER OCCURS. MAXIMUM ALLOWABLE SHIM STACK TO BE 1/4".
- 7) FOR ANCHORING INTO MASONRY USE 3/16" ITW TAPCONS WITH SUFFICIENT LENGTH TO ACHIEVE A 1 1/4" MINIMUM EMBEDMENT INTO SUBSTRATE WITH 1 3/4" MINIMUM EDGE DISTANCE. LOCATE ANCHORS AS SHOWN IN ELEVATIONS AND INSTALLATION DETAILS.
- 8) FOR ANCHORING INTO WOOD FRAMING OR 2X BUCK USE #8 WOOD SCREW WITH SUFFICIENT LENGTH TO ACHIEVE A 1 1/2" MINIMUM EMBEDMENT INTO SUBSTRATE. LOCATE ANCHORS AS SHOWN IN ELEVATIONS AND INSTALLATION DETAILS.
- 9) FOR ANCHORING INTO 16GA. MINIMUM STEEL STUD FRAMING USE #8 TEK SCREW WITH SUFFICIENT LENGTH TO ACHIEVE 3-THREADS MINIMUM BEYOND SUBSTRATE. LOCATE ANCHORS AS SHOWN IN ELEVATIONS AND INSTALLATION DETAILS.
- 10) ALL FASTENERS TO BE CORROSION RESISTANT.
- 11) INSTALLATION ANCHORS SHALL BE INSTALLED IN ACCORDANCE WITH ANCHOR MANUFACTURER'S INSTALLATION INSTRUCTIONS, AND ANCHORS SHALL NOT BE USED IN SUBSTRATES WITH STRENGTHS LESS THAN THE MINIMUM STRENGTH SPECIFIED BELOW:
  - A. WOOD - MINIMUM SPECIFIC GRAVITY OF G=0.42
  - B. CONCRETE - MINIMUM COMPRESSIVE STRENGTH OF 3,192 PSI.
  - C. MASONRY - STRENGTH CONFORMANCE TO ASTM C-90, GRADE N, TYPE 1 (OR GREATER).
  - D. METAL STRUCTURE: STEEL STUD FRAMING 16GA. 33KSI OR ALUMINUM 6063-T5 1/8" THICK MINIMUM.
- 12) UNITS MAYBE INSTALLED VERTICALLY, OR HORIZONTALLY.

SIGNED: 09/27/2011

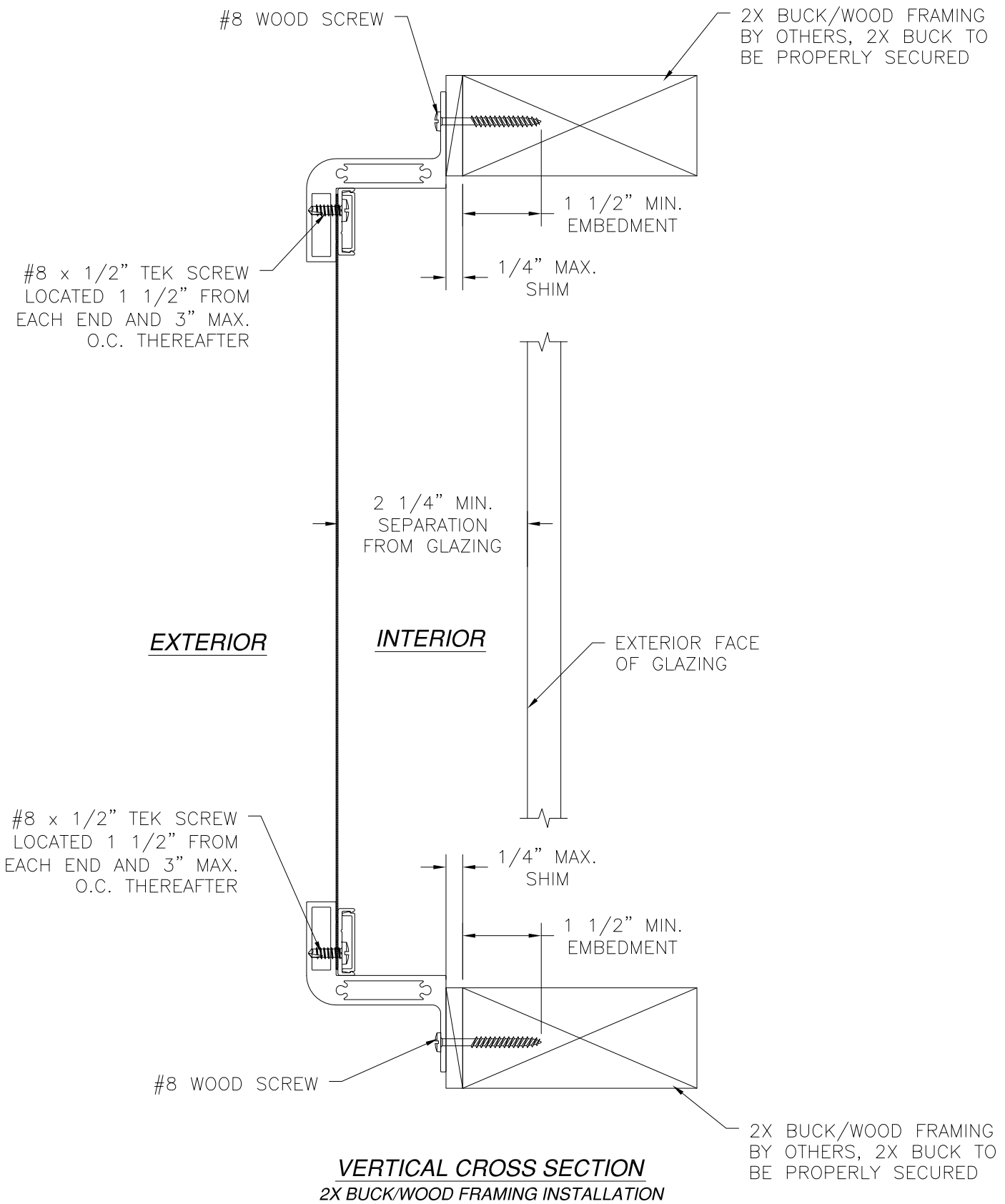
TABLE OF CONTENTS	
SHEET NO.	DESCRIPTION
1	ELEVATION, ANCHORING LAYOUT AND NOTES
2 - 3	INSTALLATION DETAILS
4	INSTALLATION DETAILS AND COMPONENTS

<b>TAPCO INCORPORATED</b> 1815 McCULLOUGH BLVD. TUPELO, MS 38801		
200-HV-F ALUMINUM FIXED HURRICANE SCREEN 108" x 51" - IMPACT ELEVATION, ANCHORING LAYOUT AND NOTES		
DRAWN: TJH	DWG NO. 08-00945	REV A
SCALE NTS	DATE 02/12/10	SHEET 1 OF 4

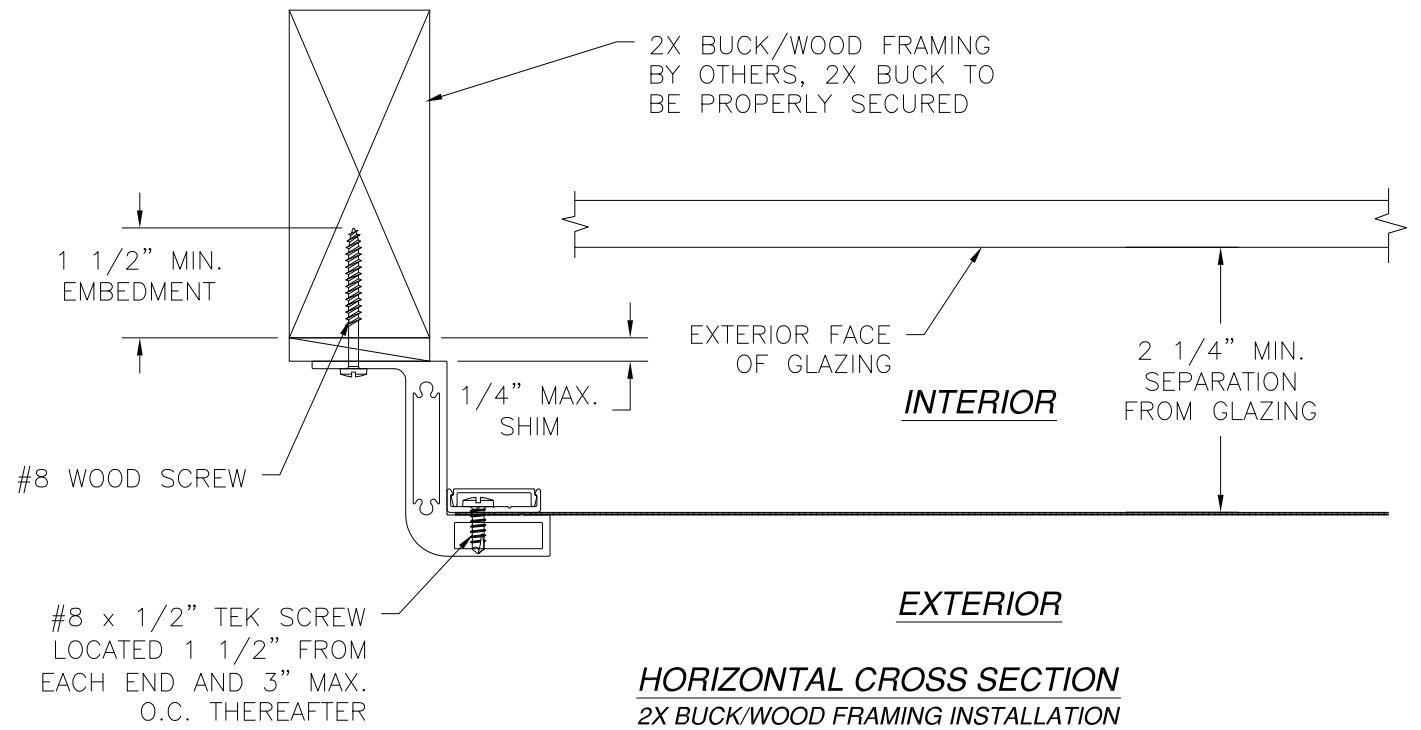


Luis R. Lomas P.E.  
Texas No. 101889

REVISIONS			
REV	DESCRIPTION	DATE	APPROVED
A	METAL STRUCTURE REVISED	7/25/11	R.L.



**VERTICAL CROSS SECTION**  
2X BUCK/WOOD FRAMING INSTALLATION



**HORIZONTAL CROSS SECTION**  
2X BUCK/WOOD FRAMING INSTALLATION

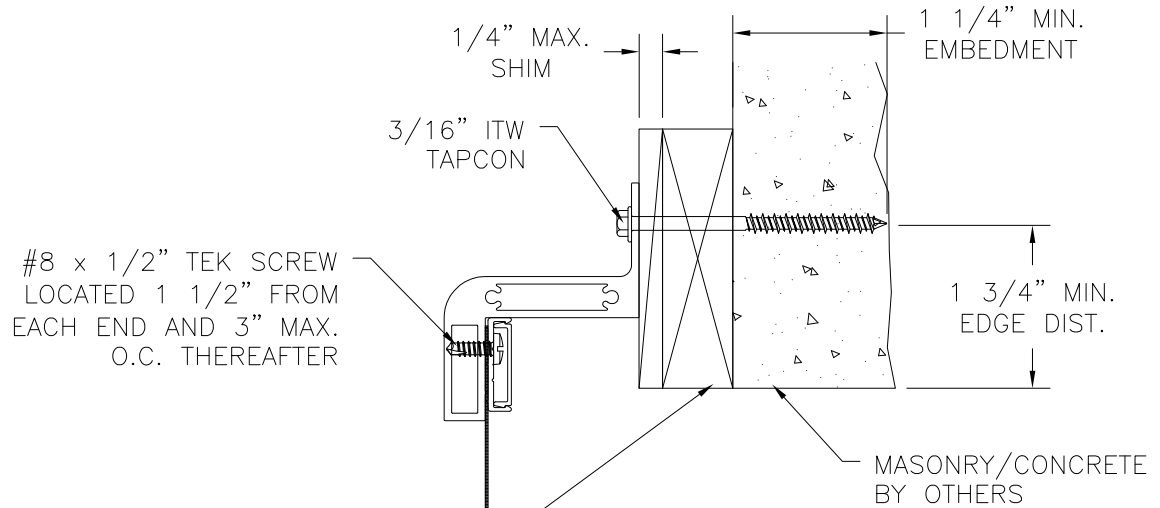
**TAPCO INCORPORATED**  
1815 McCULLOUGH BLVD.  
TUPELO, MS 38801

200-HV-F ALUMINUM FIXED HURRICANE SCREEN  
108" x 51" - IMPACT  
INSTALLATION DETAILS

DRAWN: TJH	DWG NO. 08-00945	REV A
SCALE NTS	DATE 02/12/10	SHEET 2 OF 4

Luis R. Lomas P.E.  
Texas No. 101889

REVISIONS			
REV	DESCRIPTION	DATE	APPROVED
A	METAL STRUCTURE REVISED	7/25/11	R.L.



OPTIONAL 1X BUCK BY OTHERS, OPTIONAL 1X BUCK TO BE PROPERLY SECURED

2 1/4" MIN. SEPARATION FROM GLAZING

EXTERIOR

INTERIOR

EXTERIOR FACE OF GLAZING

OPTIONAL 1X BUCK BY OTHERS, OPTIONAL 1X BUCK TO BE PROPERLY SECURED

#8 x 1/2" TEK SCREW LOCATED 1 1/2" FROM EACH END AND 3" MAX. O.C. THEREAFTER

3/16" ITW TAPCON

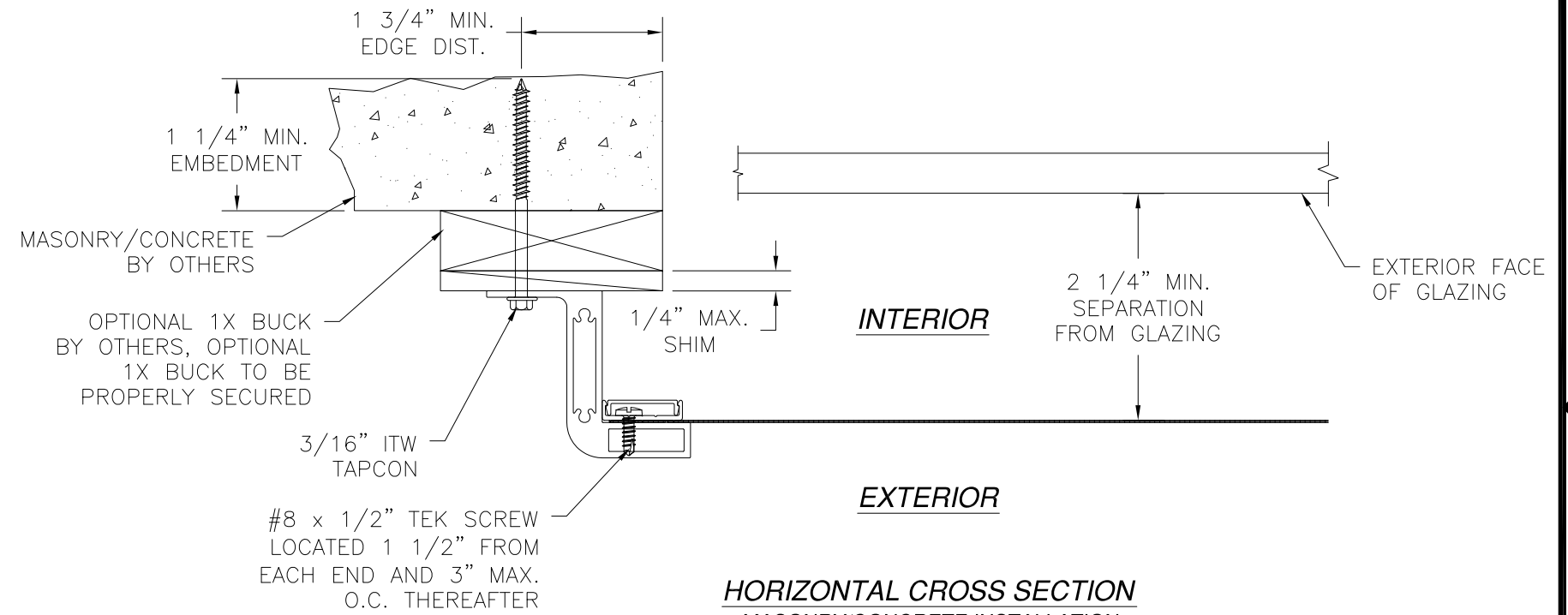
1/4" MAX. SHIM

MASONRY/CONCRETE BY OTHERS

1 3/4" MIN. EDGE DIST.

1 1/4" MIN. EMBEDMENT

**VERTICAL CROSS SECTION**  
MASONRY/CONCRETE INSTALLATION



**HORIZONTAL CROSS SECTION**  
MASONRY/CONCRETE INSTALLATION

**TAPCO INCORPORATED**

1815 McCULLOUGH BLVD.  
TUPELO, MS 38801

200-HV-F ALUMINUM FIXED HURRICANE SCREEN  
108" x 51" - IMPACT  
INSTALLATION DETAILS

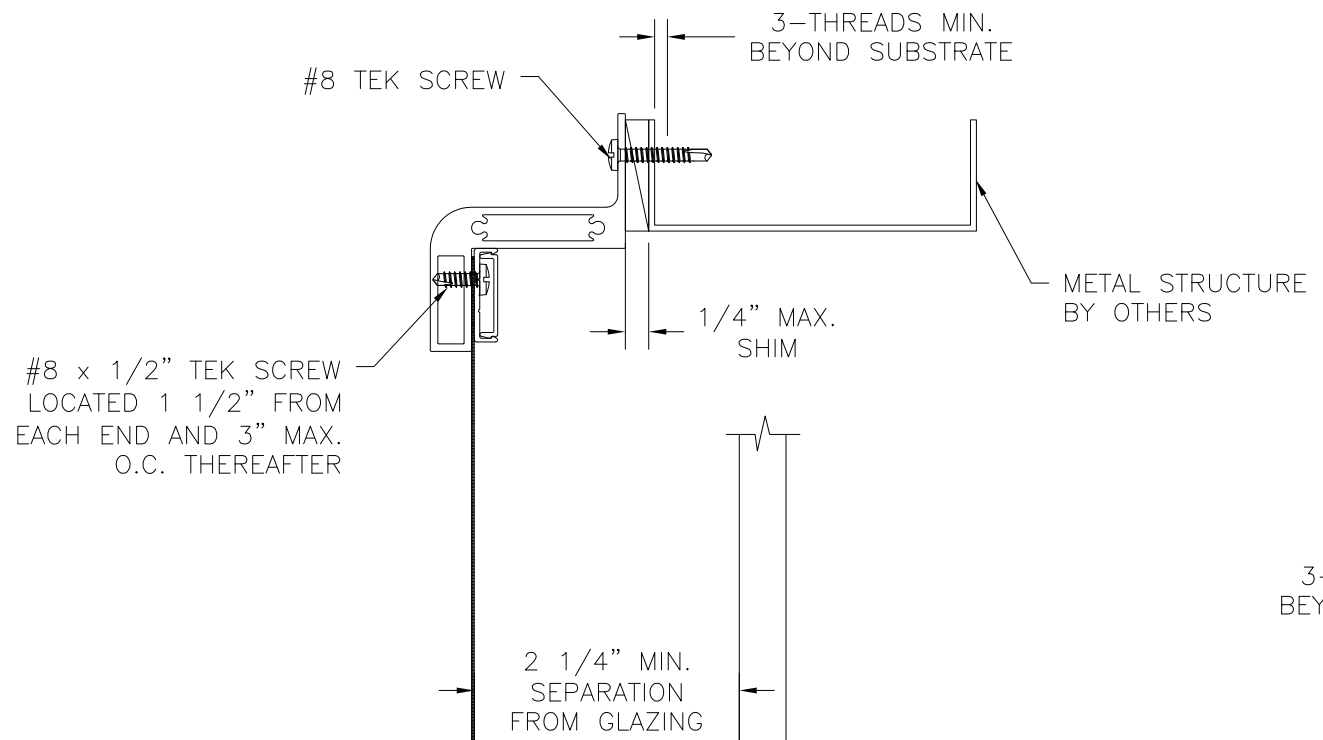
DRAWN: TJH	DWG NO. 08-00945	REV A
---------------	---------------------	----------

SCALE NTS	DATE 02/12/10	SHEET 3 OF 4
-----------	---------------	--------------

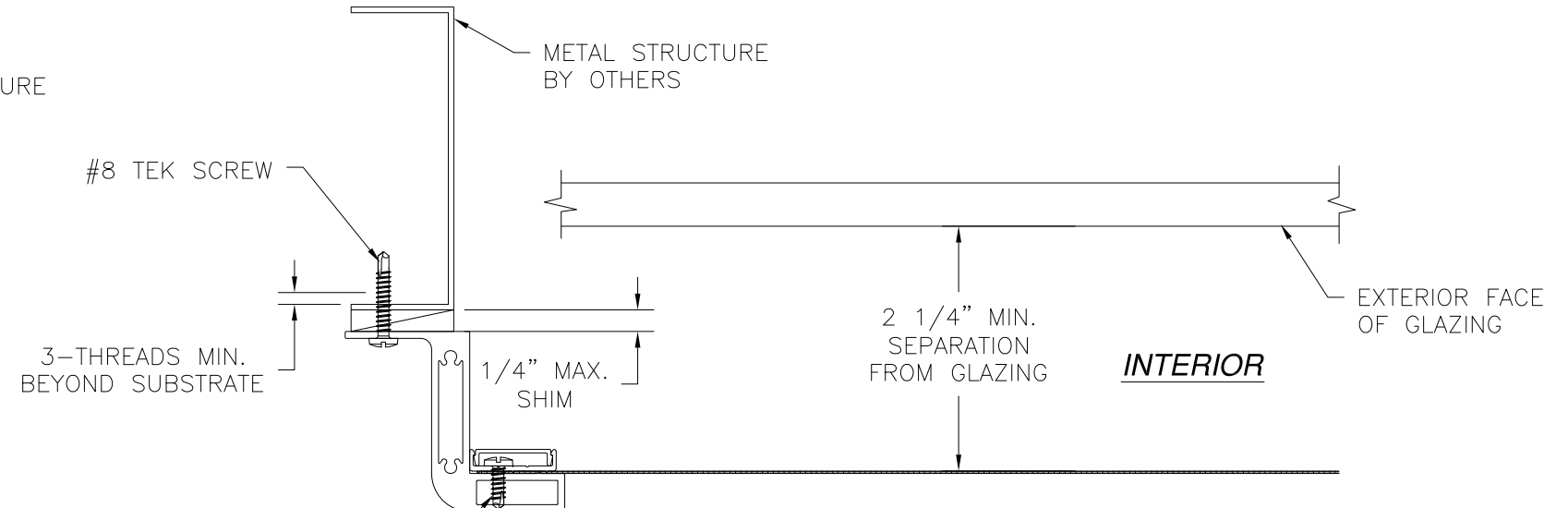


Luis R. Lomas P.E.  
Texas No. 101889

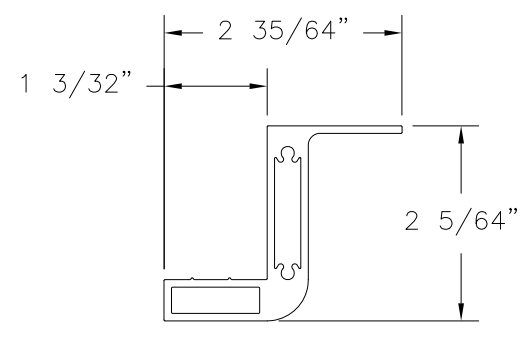
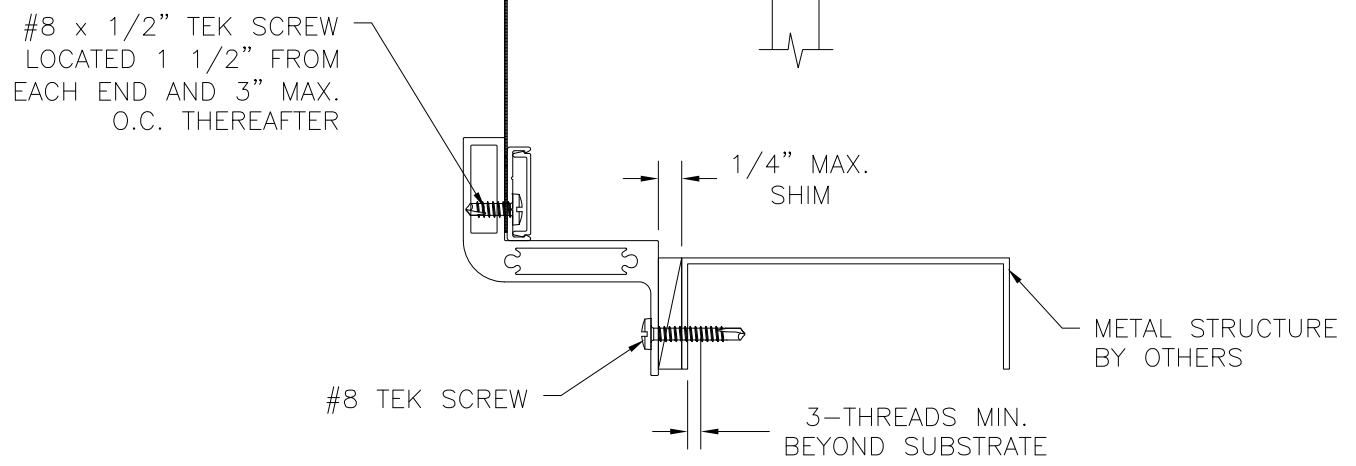
REVISIONS			
REV	DESCRIPTION	DATE	APPROVED
A	METAL STRUCTURE REVISED	7/25/11	R.L.



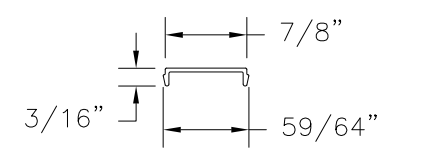
**VERTICAL CROSS SECTION**  
STEEL FRAMING INSTALLATION



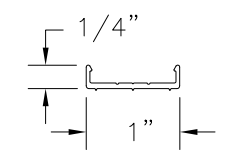
**HORIZONTAL CROSS SECTION**  
STEEL FRAMING INSTALLATION



**200-F MAIN FRAME**  
ALUMINUM 6063-T5 .080" THICK



**FLAT BAR COVER**  
EXTRUDED RIGID PVC .040" THICK



**FLAT BAR U-CHANNEL**  
ALUMINUM 6063-T5 .060" THICK

**TAPCO INCORPORATED**  
1815 McCULLOUGH BLVD.  
TUPELO, MS 38801

200-HV-F ALUMINUM FIXED HURRICANE SCREEN  
108" x 51" - IMPACT  
INSTALLATION DETAILS AND COMPONENTS

DRAWN: TJH	DWG NO. 08-00945	REV A
SCALE NTS	DATE 02/12/10	SHEET 4 OF 4



Luis R. Lomas P.E.  
Texas No. 101889