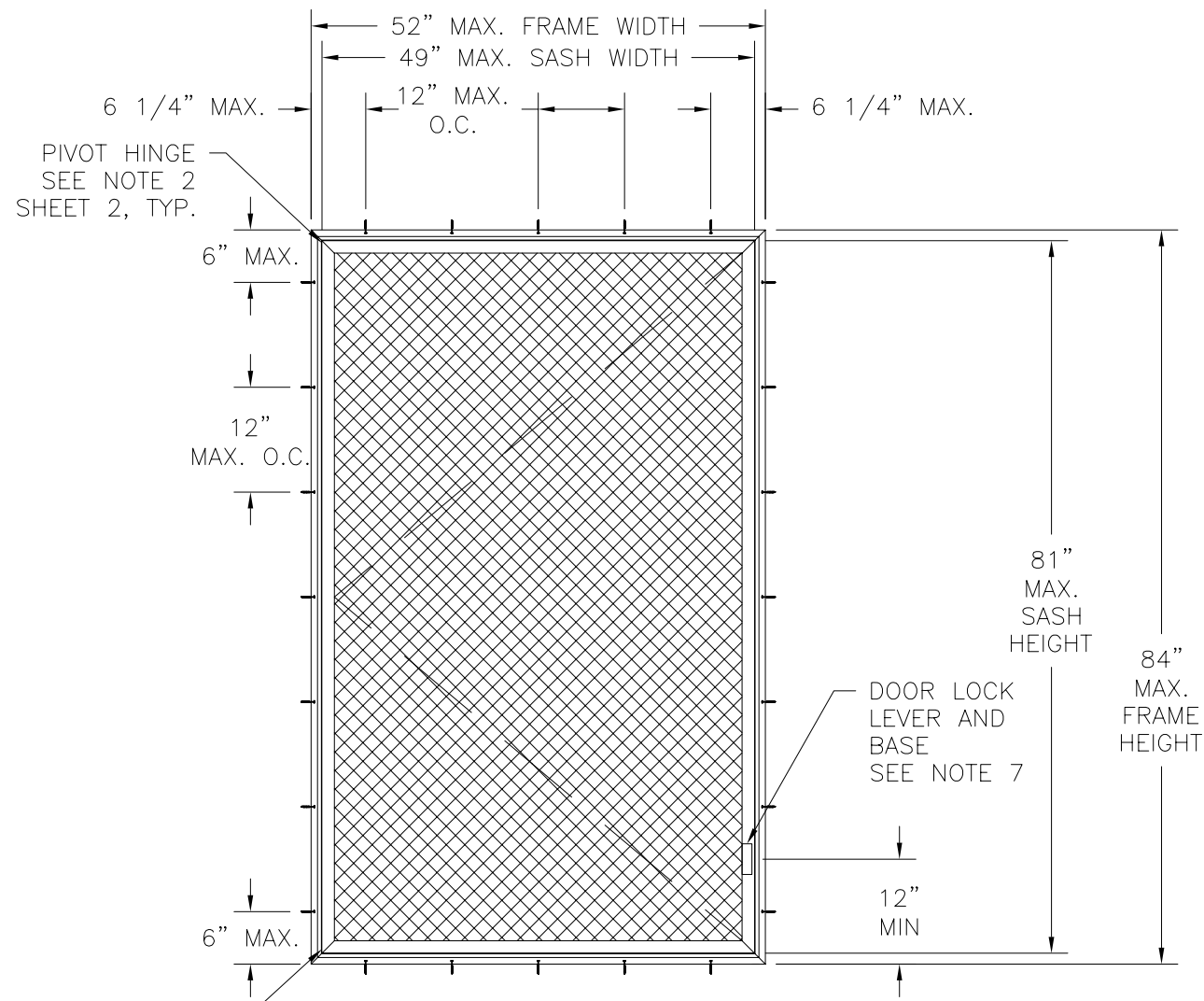


REVISIONS			
REV	DESCRIPTION	DATE	APPROVED
A	ADDED LOCK LOCATIONS	07/09/12	R.L.



200-12 SIDE PIVOT ALUMINUM SCREEN
EXTERIOR VIEW

DESIGN PRESSURE RATING	IMPACT RATING
±50PSF	LARGE AND SMALL MISSILE IMPACT

NOTES:

- 1) THE PRODUCT SHOWN HEREIN IS DESIGNED AND MANUFACTURED TO COMPLY WITH REQUIREMENTS OF THE 2006 IBC, 2006 IRC WITH STATE OF TEXAS MODIFICATIONS.
- 2) WOOD FRAMING AND MASONRY OPENING TO BE DESIGNED AND ANCHORED TO PROPERLY TRANSFER ALL LOADS TO STRUCTURE. FRAMING AND MASONRY OPENING IS THE RESPONSIBILITY OF THE ARCHITECT OR ENGINEER OF RECORD.
- 3) 1X BUCK OVER MASONRY/CONCRETE IS OPTIONAL. WHERE 1X BUCK IS NOT USED DISSIMILAR MATERIALS MUST BE SEPARATED WITH APPROVED COATING OR MEMBRANE. SELECTION OF COATING OR MEMBRANE IS THE RESPONSIBILITY OF THE ARCHITECT OR ENGINEER OF RECORD.
- 4) ALLOWABLE STRESS INCREASE OF 1/3 WAS NOT USED IN THE DESIGN OF THE PRODUCT SHOWN HEREIN. WIND LOAD DURATION FACTOR Cd=1.6 WAS USED FOR WOOD ANCHOR CALCULATIONS.
- 5) FRAME AND SASH MATERIAL: EXTRUDED ALUMINUM 6063-T5
- 6) SCREEN MATERIAL: .035" STAINLESS STEEL WITH 12 x12 STRANDS PER SQUARE INCH AND .048" OPEN SPACE BETWEEN STRANDS. MESH FINISH MAY BE NATURAL OR PAINTED.
- 7) DOOR LOCK MAY BE INSTALLED VERTICALLY AS SHOWN OR HORIZONTALLY IN BOTTOM FRAME.

ANCHORING NOTES:

- 1) SHIM AS REQUIRED AT EACH INSTALLATION ANCHOR WITH LOAD BEARING SHIM. SHIM WHERE SPACE OF 1/16" OR GREATER OCCURS. MAXIMUM ALLOWABLE SHIM STACK TO BE 1/4".
- 2) FOR ANCHORING INTO MASONRY USE 3/16" ELCO ULTRACON TAPCONS WITH SUFFICIENT LENGTH TO ACHIEVE A 1 1/4" MINIMUM EMBEDMENT INTO SUBSTRATE WITH 1 3/4" MINIMUM EDGE DISTANCE. LOCATE ANCHORS AS SHOWN IN ELEVATIONS AND INSTALLATION DETAILS.
- 3) FOR ANCHORING INTO WOOD FRAMING OR 2X BUCK USE #8 WOOD SCREW WITH SUFFICIENT LENGTH TO ACHIEVE A 1 3/16" MINIMUM EMBEDMENT INTO SUBSTRATE. LOCATE ANCHORS AS SHOWN IN ELEVATIONS AND INSTALLATION DETAILS.
- 4) FOR ANCHORING INTO METAL STRUCTURE USE #8 TEK SCREW WITH SUFFICIENT LENGTH TO ACHIEVE 3-THREAD PITCH MINIMUM BEYOND SUBSTRATE. LOCATE ANCHORS AS SHOWN IN ELEVATIONS AND INSTALLATION DETAILS.
- 5) ALL FASTENERS TO BE CORROSION RESISTANT.
- 6) INSTALLATION ANCHORS SHALL BE INSTALLED IN ACCORDANCE WITH ANCHOR MANUFACTURER'S INSTALLATION INSTRUCTIONS, AND ANCHORS SHALL NOT BE USED IN SUBSTRATES WITH STRENGTHS LESS THAN THE MINIMUM STRENGTH SPECIFIED BELOW:
 - A. WOOD – MINIMUM SPECIFIC GRAVITY OF G=0.42
 - B. CONCRETE – MINIMUM COMPRESSIVE STRENGTH OF 3,200 PSI.
 - C. MASONRY – STRENGTH CONFORMANCE TO ASTM C-90, GRADE N, TYPE 1 (OR GREATER).
 - D. METAL STRUCTURE: STEEL 18GA, 33KSI OR ALUMINUM 6063-T5 1/8" THICK MINIMUM.

SIGNED: 07/09/2012

TAPCO INCORPORATED
1815 McCOLLOUGH BLVD.
TUPELO, MS 38801

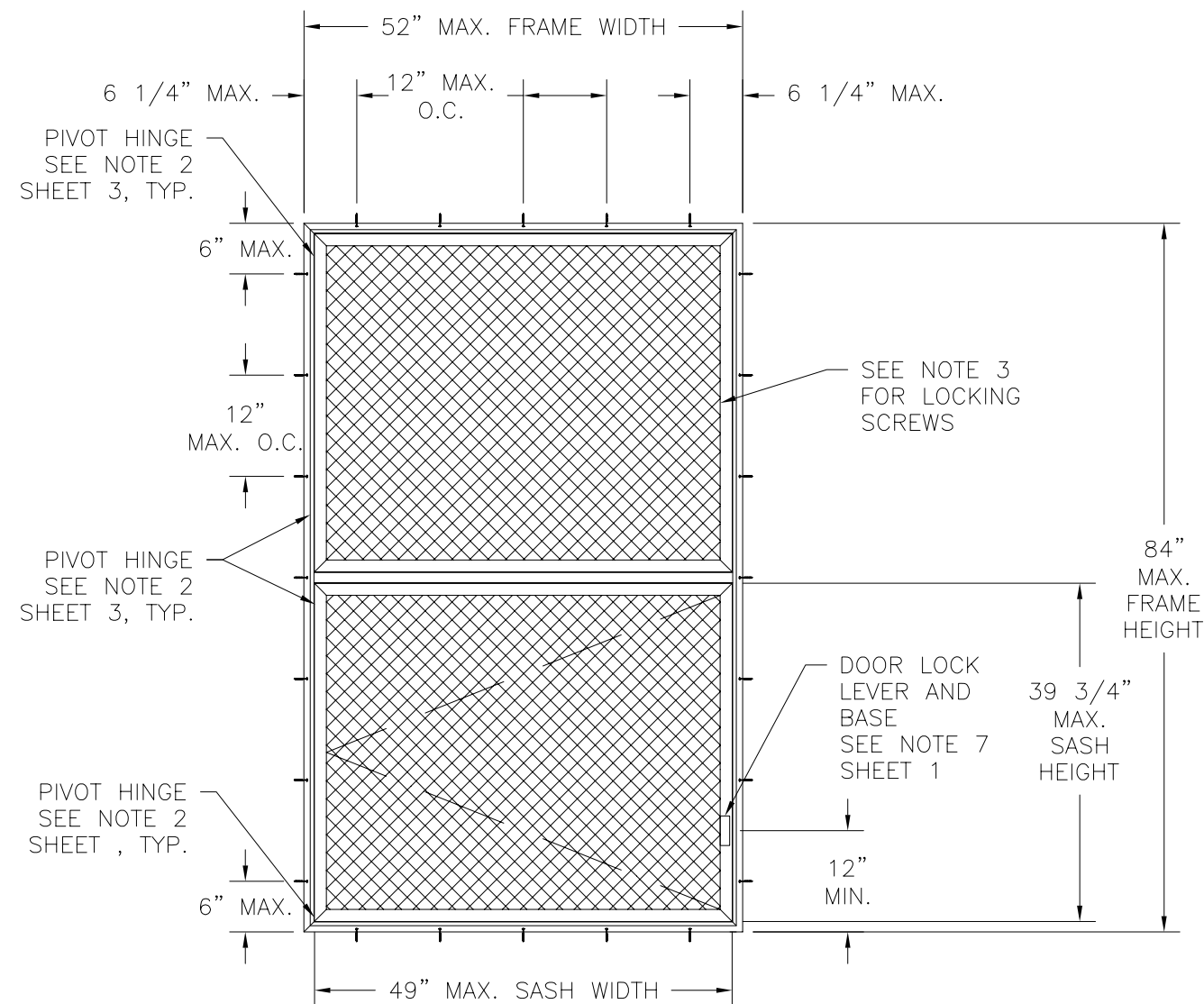
200 SERIES SIDE PIVOT ALUMINUM HURRICANE SCREEN – IMPACT RESISTANT SINGLE ELEVATION, ANCHORING AND NOTES

DRAWN: V.L.	DWG NO. 08-01322	REV A
SCALE NTS	DATE 08/03/11	SHEET 1 OF 6

Luis R. Lomas P.E.
Texas No. 101889

TABLE OF CONTENTS	
SHEET NO.	DESCRIPTION
1 – 2	ELEVATIONS, ANCHORING AND NOTES
3 – 5	INSTALLATION DETAILS
6	COMPONENTS

REVISIONS			
REV	DESCRIPTION	DATE	APPROVED
A	ADDED LOCK LOCATIONS	07/09/12	R.L.



NOTES:

- 1) SINGLE WITH TRANSOM SHOWN WITH ACTIVE SASH ON BOTTOM AND FIXED SASH ON TOP. HORIZONTAL MULLED UNITS CAN BE MULLED IN ANY COMBINATION OF ACTIVE AND FIXED SASHES AS LONG AS INDIVIDUAL SASH DOES NOT EXCEED OVERALL SASH SIZE AS SHOWN HEREIN AND HORIZONTAL MULLION DOES NOT EXCEED 51 1/4".
- 2) PIVOT HINGES ARE LOCATED AT TOP AND BOTTOM OF EACH SASH. PIVOT HINGES ARE $\phi 1/4" \times 2 1/2"$
- 3) INSTALL LOCKING SCREWS #10x1 1/2" AT FIXED SASH AS FOLLOWS: 6" FROM EACH SASH END AND ONE MORE AT CENTER OF SASH.

200-13 SIDE PIVOT MULLED ALUMINUM SCREEN
EXTERIOR VIEW

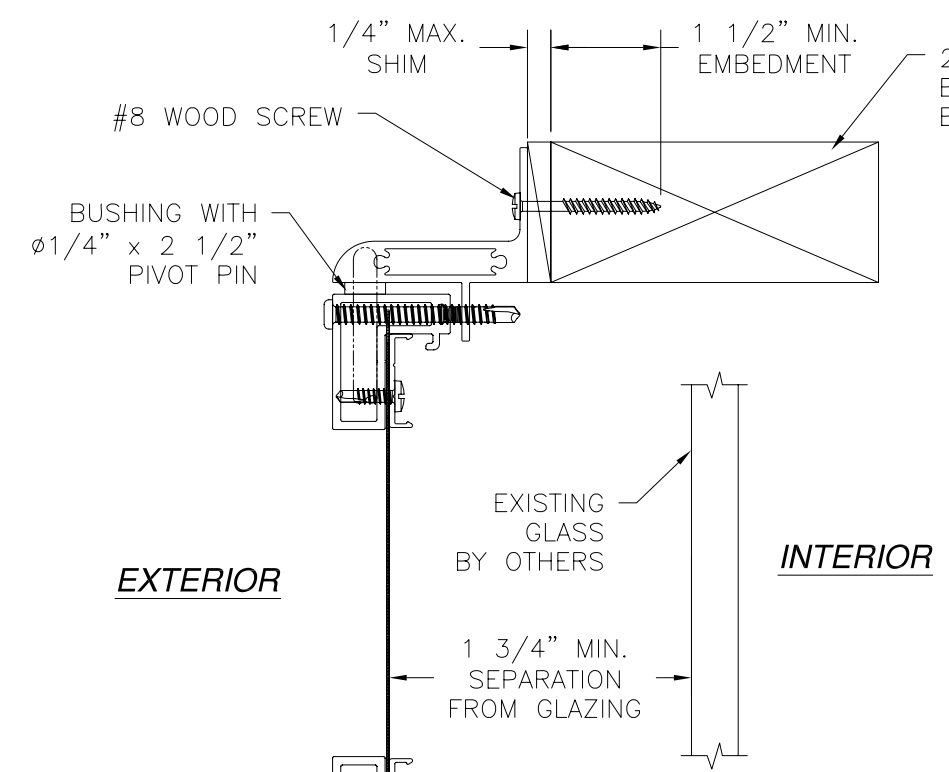
DESIGN PRESSURE RATING	IMPACT RATING
± 50 PSF	LARGE AND SMALL MISSILE IMPACT

TAPCO INCORPORATED 1815 McCOLLOUGH BLVD. TUPELO, MS 38801		
200 SERIES SIDE PIVOT ALUMINUM HURRICANE SCREEN – IMPACT RESISTANT SINGLE ELEVATION, ANCHORING AND NOTES		
DRAWN: V.L.	DWG NO. 08-01322	REV A
SCALE NTS	DATE 08/03/11	SHEET 2 OF 6

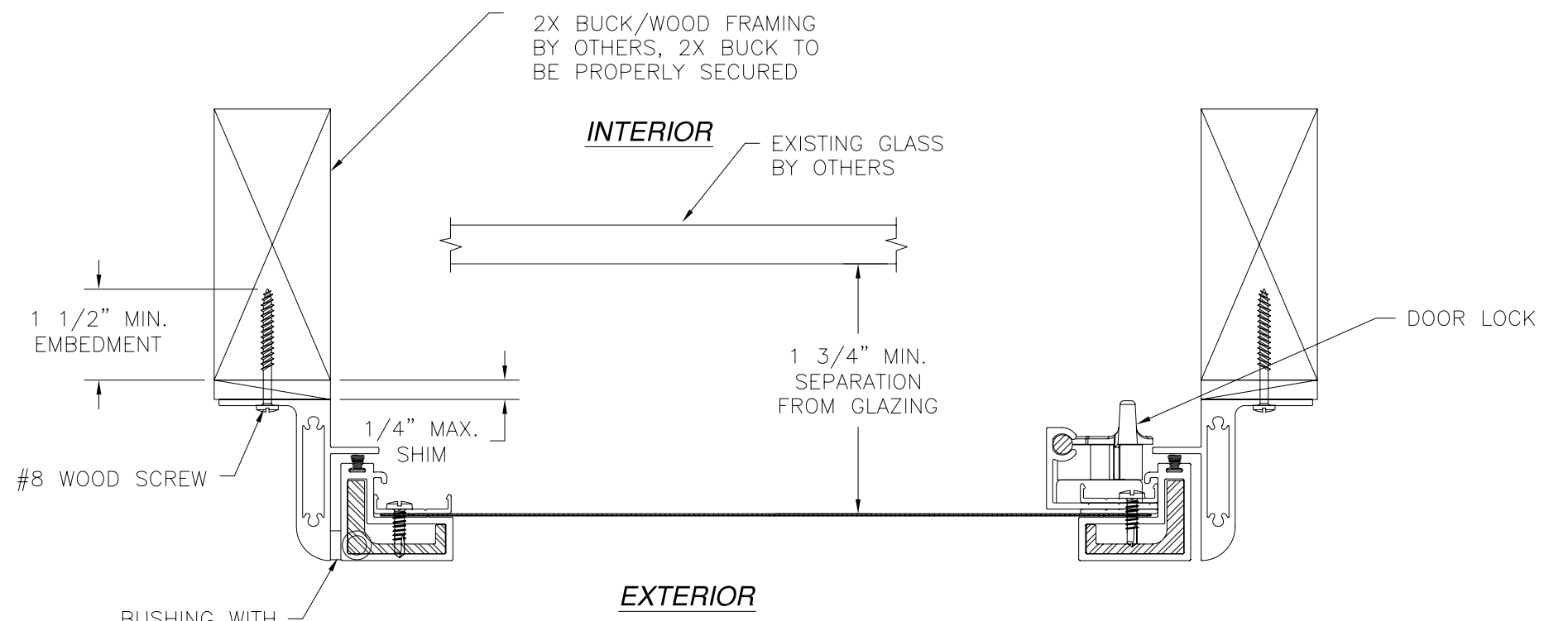


Luis R. Lomas P.E.
Texas No. 101889

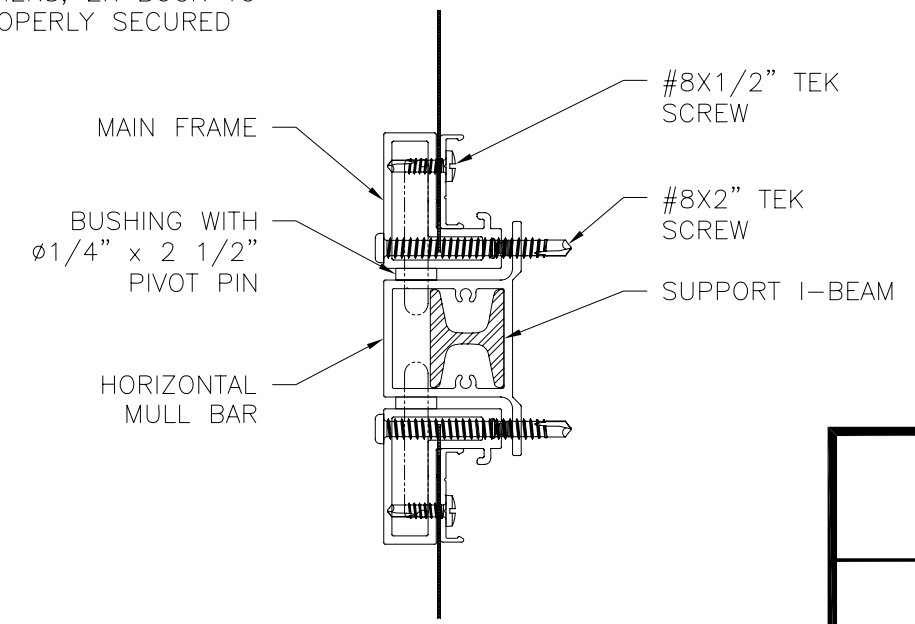
REVISIONS			
REV	DESCRIPTION	DATE	APPROVED
A	ADDED LOCK LOCATIONS	07/09/12	R.L.



VERTICAL CROSS SECTION
 2X BUCK/WOOD FRAMING INSTALLATION
 SINGLE SCREEN SHOWN, MULLED
 SCREEN SIMILAR



HORIZONTAL CROSS SECTION
 2X BUCK/WOOD FRAMING INSTALLATION
 ACTIVE SASH SHOWN, FIXED
 SASH SIMILAR



HORIZONTAL RAIL CROSS SECTION
 200-13 SIDE PIVOT MULLED UNIT

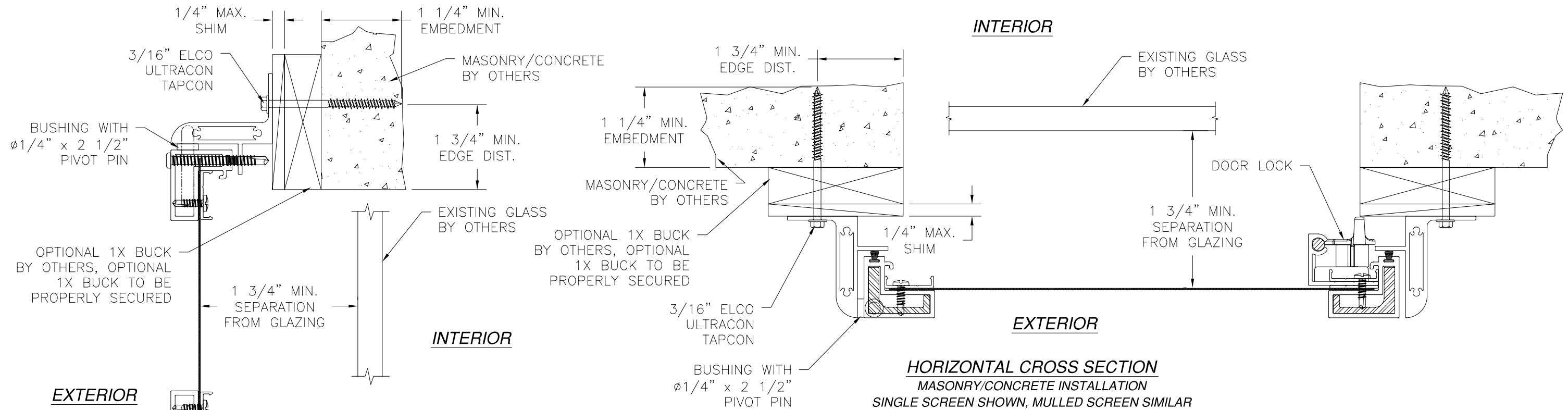
TAPCO INCORPORATED
 1815 McCOLLOUGH BLVD.
 TUPELO, MS 38801

200 SERIES SIDE PIVOT ALUMINUM
 HURRICANE SCREEN – IMPACT RESISTANT
 INSTALLATION DETAILS

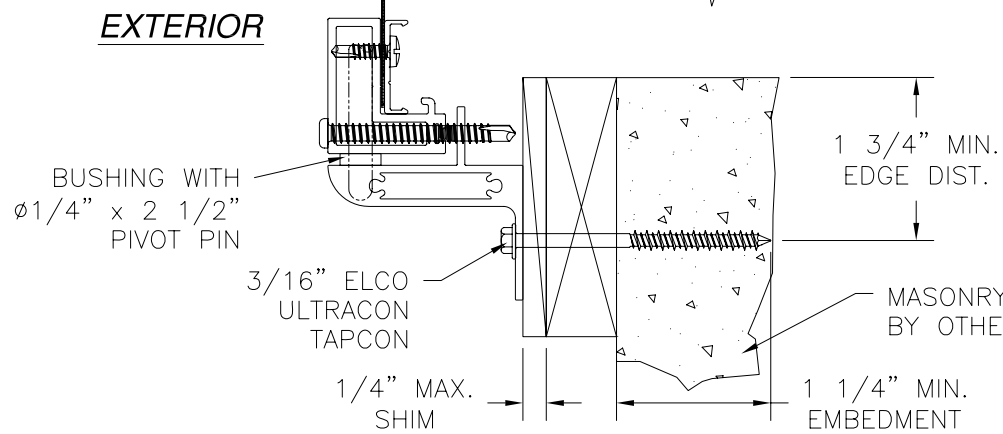
DRAWN: V.L.	DWG NO. 08-01322	REV A
SCALE NTS	DATE 08/03/11	SHEET 3 OF 6

Luis R. Lomas P.E.
 Texas No. 101889

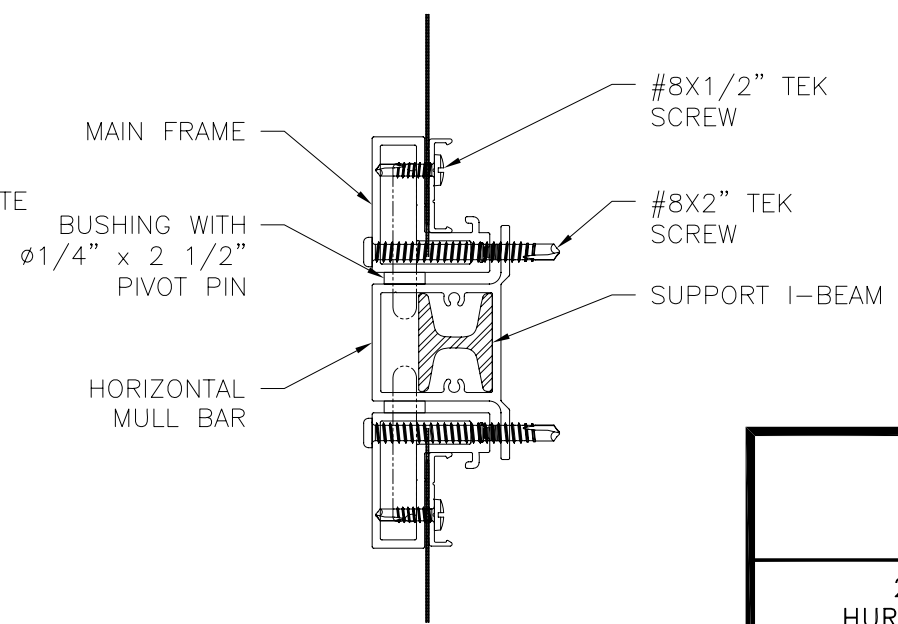
REVISIONS			
REV	DESCRIPTION	DATE	APPROVED
A	ADDED LOCK LOCATIONS	07/09/12	R.L.



HORIZONTAL CROSS SECTION
MASONRY/CONCRETE INSTALLATION
SINGLE SCREEN SHOWN, MULLED SCREEN SIMILAR



VERTICAL CROSS SECTION
MASONRY/CONCRETE INSTALLATION
SINGLE SCREEN SHOWN, MULLED
SCREEN SIMILAR



HORIZONTAL RAIL CROSS SECTION
200-13 SIDE PIVOT MULLED UNIT

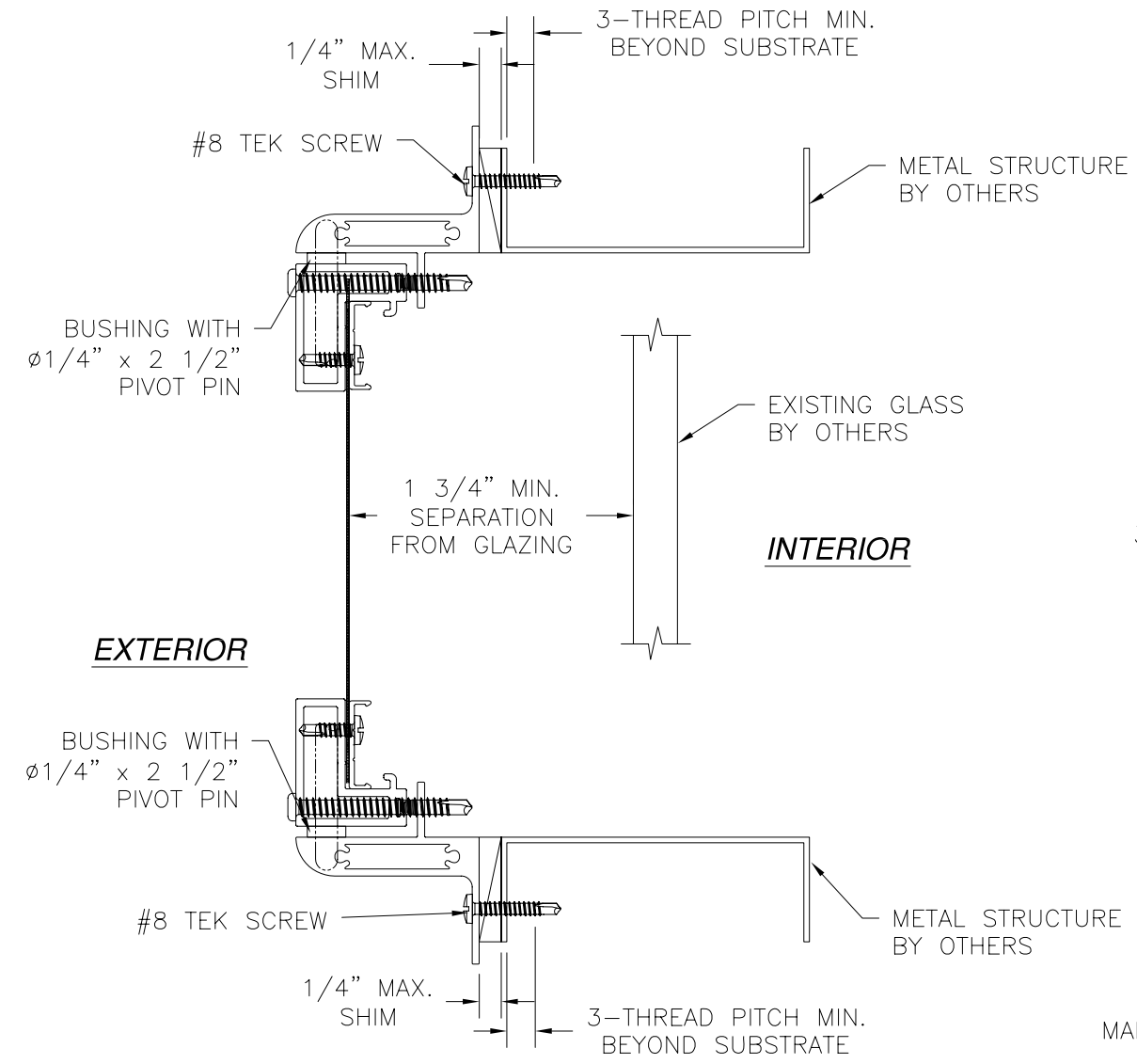
TAPCO INCORPORATED
1815 McCOLLOUGH BLVD.
TUPELO, MS 38801

200 SERIES SIDE PIVOT ALUMINUM
HURRICANE SCREEN – IMPACT RESISTANT
INSTALLATION DETAILS

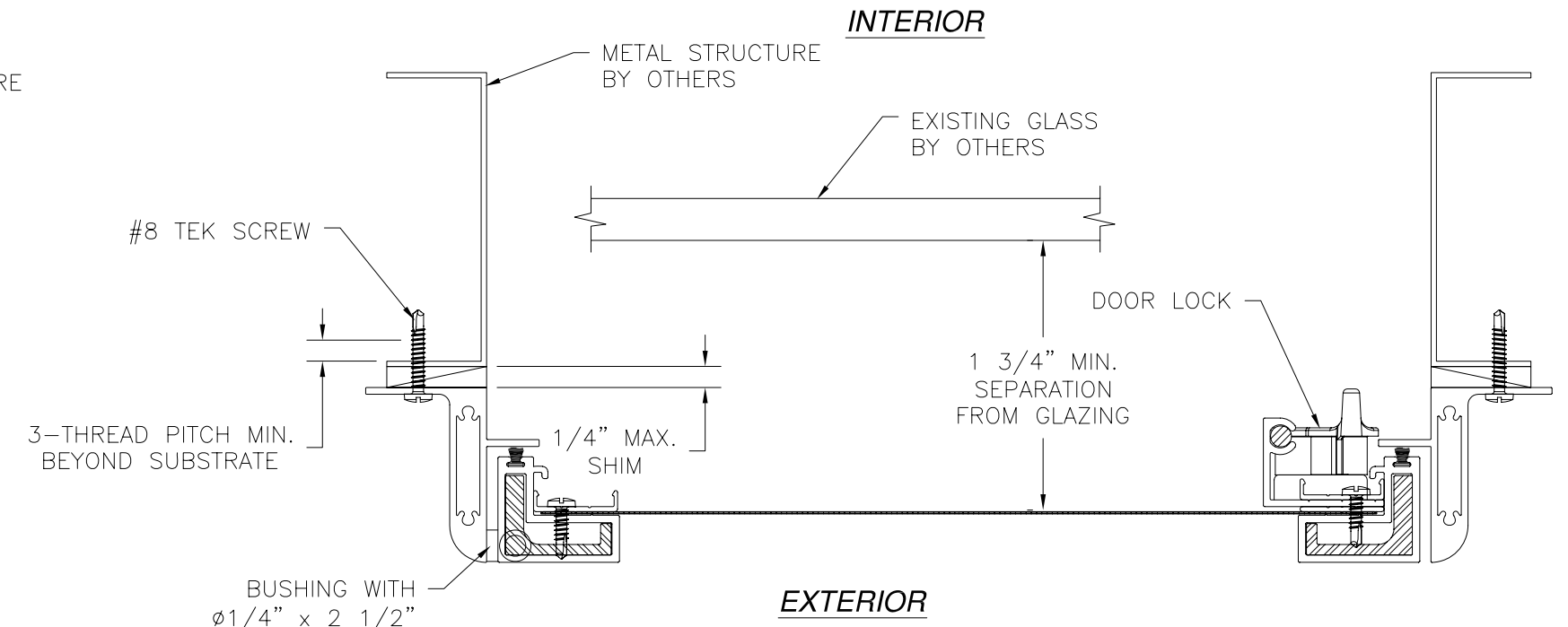
DRAWN: V.L.	DWG NO. 08-01322	REV A
SCALE NTS	DATE 08/03/11	SHEET 4 OF 6

Luis R. Lomas P.E.
Texas No. 101889

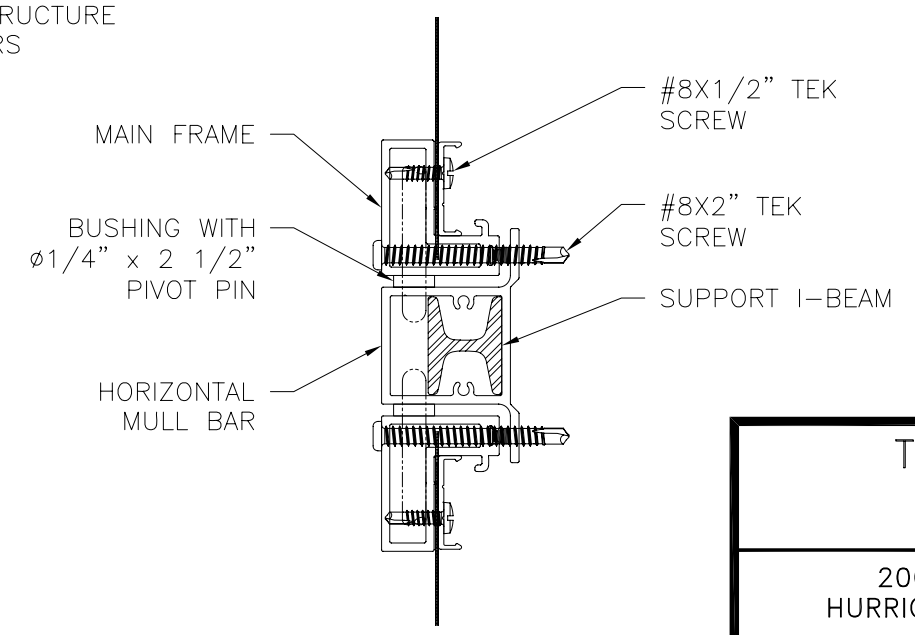
REVISIONS			
REV	DESCRIPTION	DATE	APPROVED
A	ADDED LOCK LOCATIONS	07/09/12	R.L.



VERTICAL CROSS SECTION
 STEEL FRAMING INSTALLATION
 SINGLE SCREEN SHOWN, MULLED
 SCREEN SIMILAR



HORIZONTAL CROSS SECTION
 STEEL FRAMING INSTALLATION
 SINGLE SCREEN SHOWN, MULLED SCREEN SIMILAR



HORIZONTAL RAIL CROSS SECTION
 200-13 SIDE PIVOT MULLED UNIT

TAPCO INCORPORATED
 1815 McCOLLOUGH BLVD.
 TUPELO, MS 38801

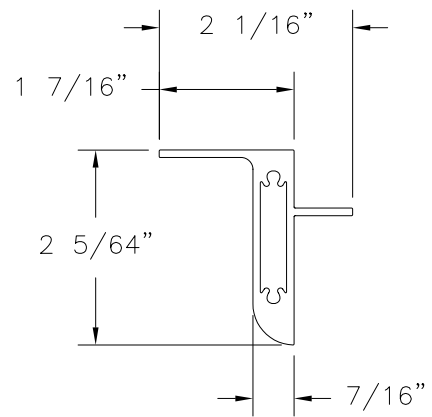
200 SERIES SIDE PIVOT ALUMINUM
 HURRICANE SCREEN – IMPACT RESISTANT
 INSTALLATION DETAILS

DRAWN: V.L.	DWG NO. 08-01322	REV A
SCALE NTS	DATE 08/03/11	SHEET 5 OF 6

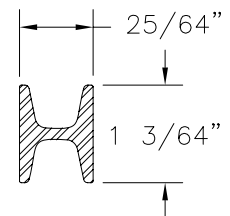


Luis R. Lomas P.E.
 Texas No. 101889

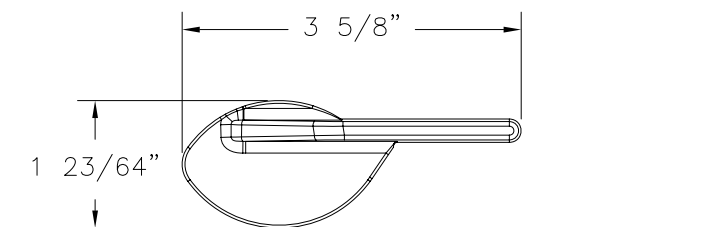
REVISIONS			
REV	DESCRIPTION	DATE	APPROVED
A	ADDED LOCK LOCATIONS	07/09/12	R.L.



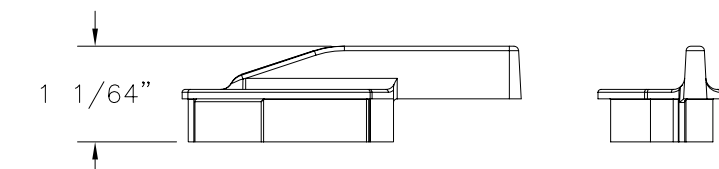
SUB FRAME
ALUMINUM 6063-T5 .080" THICK



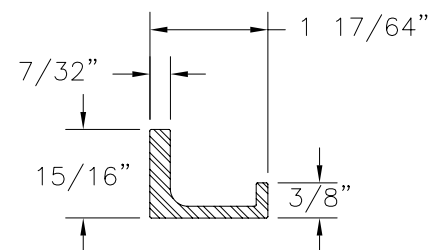
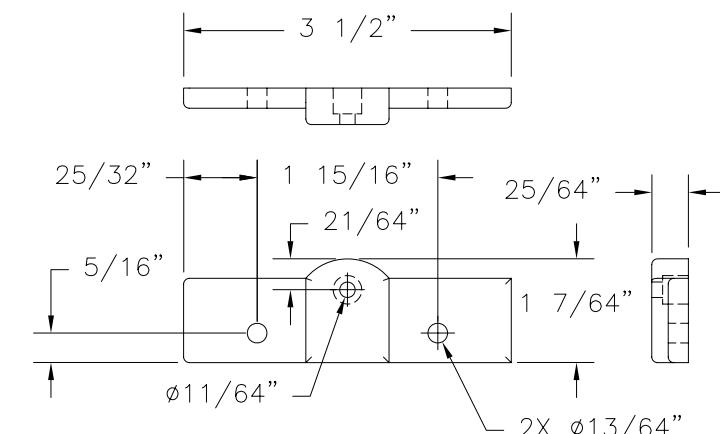
SUPPORT I-BEAM
ALUMINUM 6005-T6 .125" THICK



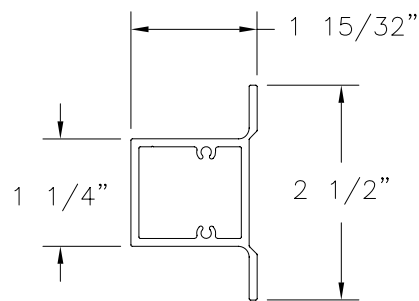
TAPCO LEVER
ALUMINUM 6063-T5



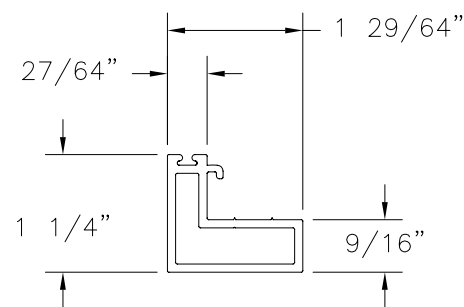
TAPCO LEVER BASE
ALUMINUM 6063-T5



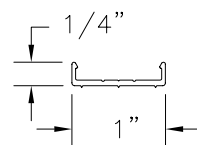
HS FILLER
ALUMINUM 6005-T6 .125" THICK



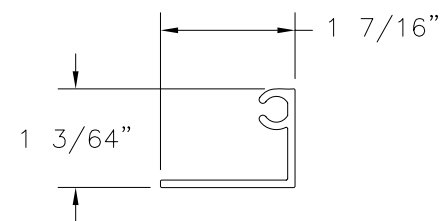
HORIZONTAL MULL BAR
ALUMINUM 6063-T5 .092" THICK



MAIN FRAME
ALUMINUM 6063-T5 .088" THICK



FLAT BAR U-CHANNEL
ALUMINUM 6063-T5 .060" THICK



LATCH .720 HOUSING
ALUMINUM 6063-T5 .062" THICK

TAPCO INCORPORATED
1815 McCOLLOUGH BLVD.
TUPELO, MS 38801

200 SERIES SIDE PIVOT ALUMINUM
HURRICANE SCREEN – IMPACT RESISTANT
COMPONENTS

DRAWN: V.L.	DWG NO. 08-01322	REV A
SCALE NTS	DATE 08/03/11	SHEET 6 OF 6



Luis R. Lomas P.E.
Texas No. 101889