

400-HD ALUMINUM FULL VIEW SECURITY SCREEN
EXTERIOR VIEW

DESIGN PRESSURE RATING	IMPACT RATING
+ 60.0 PSF - 65.0 PSF	LARGE AND SMALL MISSILE IMPACT

HARDWARE SCHEDULE	
A.	4" SPRING LOADED HINGE ASSEMBLY BY TAPCO
B.	#1850 HARDWARE KIT W/DEADBOLT BY WARTIAN
C.	#643 WRIGHT DEADBOLT KIT BY WRIGHT.

TABLE OF CONTENTS	
SHEET NO.	DESCRIPTION
1	ELEVATION, ANCHORING LAYOUT AND NOTES
2 - 4	INSTALLATION DETAILS
5	COMPONENTS

REVISIONS			
REV	DESCRIPTION	DATE	APPROVED
A	ADDED HARDWARE LOCATIONS	9/22/10	R.L.
B	ADDED PART NUMBER FOR DEADBOLT	9/27/10	R.L.

- NOTES:
- 1) THE PRODUCT SHOWN HEREIN IS DESIGNED AND MANUFACTURED TO COMPLY WITH REQUIREMENTS OF THE 2006 INTERNATIONAL BUILDING CODE AND 2006 INTERNATIONAL RESIDENTIAL CODE WITH TEXAS STATE MODIFICATIONS.
 - 2) WOOD FRAMING OR BUCK OPENING TO BE DESIGNED AND ANCHORED TO PROPERLY TRANSFER ALL LOADS TO STRUCTURE. FRAMING AND MASONRY OPENING IS THE RESPONSIBILITY OF THE ARCHITECT OR ENGINEER OF RECORD.
 - 3) ALLOWABLE STRESS INCREASE OF 1/3 WAS NOT USED IN THE DESIGN OF THE PRODUCT SHOWN HEREIN. WIND LOAD DURATION FACTOR Cd=1.6 WAS USED FOR WOOD ANCHOR CALCULATIONS.
 - 4) FRAME MATERIAL: EXTRUDED ALUMINUM 6063-T5 .062" THICK.
 - 5) DOOR PANEL MATERIAL: EXTRUDED ALUMINUM 6063-T5 .070" THICK.
 - 6) SCREEN MATERIAL: .033" STAINLESS STEEL 12 x 12 MESH WIRE WITH NATURAL FINISH OR PAINTED.
 - 7) APPROVED IMPACT PROTECTIVE SYSTEM IS NOT REQUIRED FOR THIS PRODUCT IN WIND BORNE DEBRIS REGIONS.
 - 8) SHIM AS REQUIRED AT EACH INSTALLATION ANCHOR WITH LOAD BEARING SHIM. SHIM WHERE SPACE OF 1/16" OR GREATER OCCURS. MAXIMUM ALLOWABLE SHIM STACK TO BE 1/4".
 - 9) FOR ANCHORING INTO WOOD FRAMING OR 2X BUCK USE #8 WOOD SCREW WITH SUFFICIENT LENGTH TO ACHIEVE A 1 1/2" MINIMUM EMBEDMENT INTO SUBSTRATE. LOCATE ANCHORS AS SHOWN IN ELEVATIONS AND INSTALLATION DETAILS.
 - 10) FOR ANCHORING INTO 16GA. MINIMUM STEEL STUD FRAMING USE #8 TEK SCREW WITH SUFFICIENT LENGTH TO ACHIEVE 3-THREADS MINIMUM BEYOND SUBSTRATE. LOCATE ANCHORS AS SHOWN IN ELEVATIONS AND INSTALLATION DETAILS.
 - 11) ALL FASTENERS TO BE CORROSION RESISTANT.
 - 12) INSTALLATION ANCHORS SHALL BE INSTALLED IN ACCORDANCE WITH ANCHOR MANUFACTURER'S INSTALLATION INSTRUCTIONS, AND ANCHORS SHALL NOT BE USED IN SUBSTRATES WITH STRENGTHS LESS THAN THE MINIMUM STRENGTH SPECIFIED BELOW:
 A. WOOD: MINIMUM SPECIFIC GRAVITY OF G=0.42
 B. STEEL STUD: 16GA., (.060") MINIMUM.
 C. ALUMINUM FRAMING: 6063-T5 ALUMINUM 2"x2" .080" THICK MINIMUM.
 - 13) APPROVED CONFIGURATIONS: X
 - 14) SIX HINGES ARE LOCATED 12" FROM THE TOP AND 12" MAXIMUM O.C. THEREAFTER.

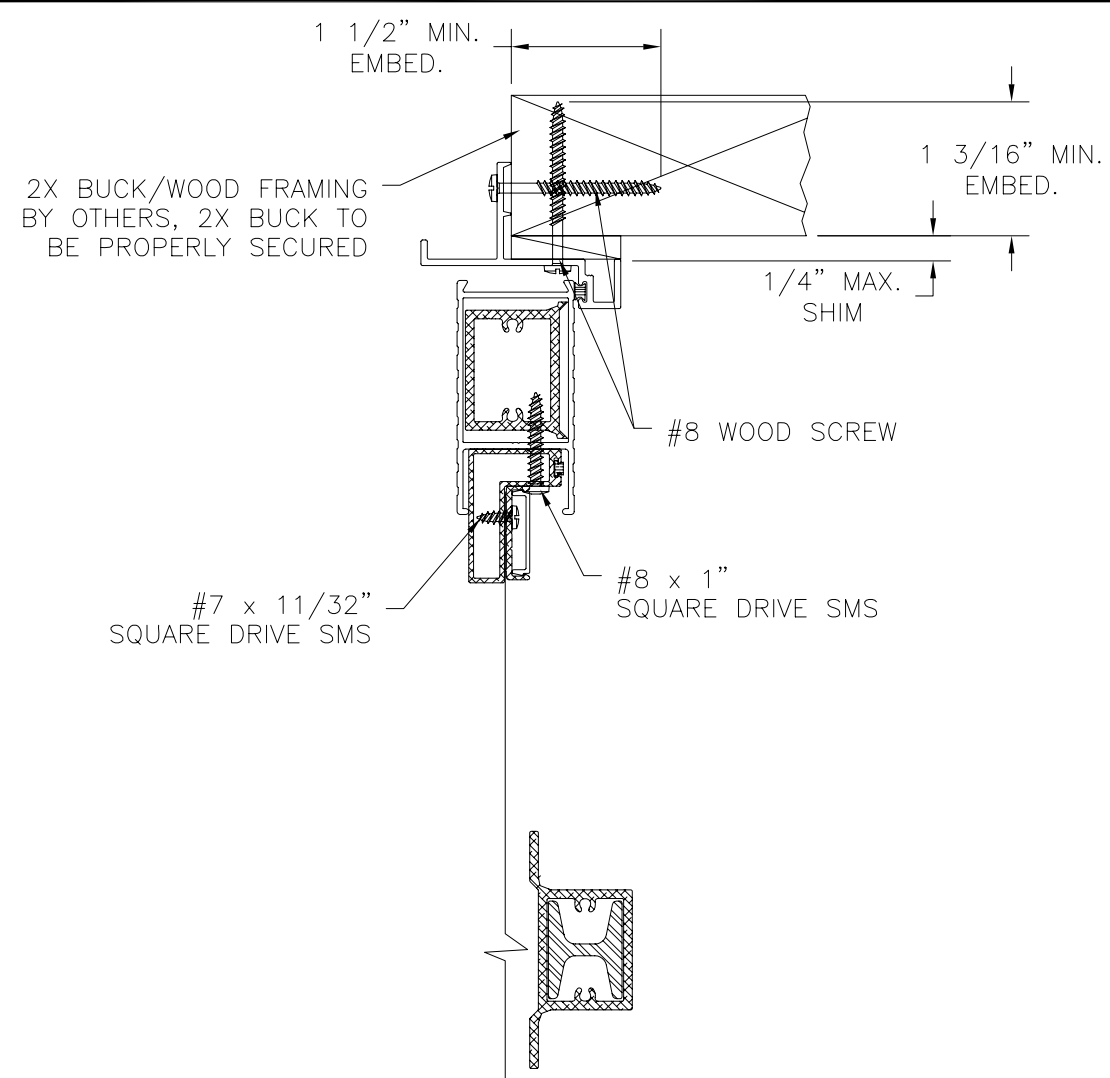
TAPCO INCORPORATED
1815 McCULLOUGH BLVD.
TUPELO, MS 38801

400-HD ALUMINUM FULL VIEW SECURITY SCREEN
38" x 87" IMPACT
ELEVATION, ANCHORING LAYOUT AND NOTES

DRAWN: TJH	DWG NO. 08-00941	REV B
SCALE NTS	DATE 02/17/10	SHEET 1 OF 5

Luis R. Lomas P.E.
Texas No. 101889

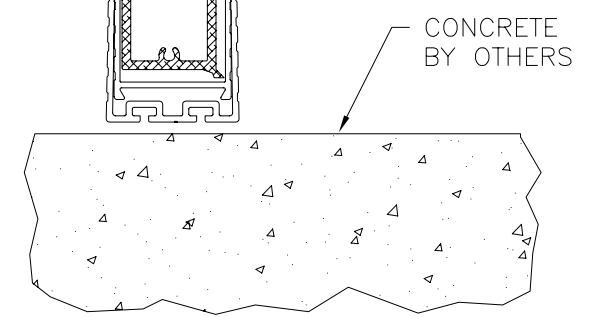
REVISIONS			
REV	DESCRIPTION	DATE	APPROVED
A	ADDED HARDWARE LOCATIONS	9/22/10	R.L.
B	ADDED PART NUMBER FOR DEADBOLT	9/27/10	R.L.



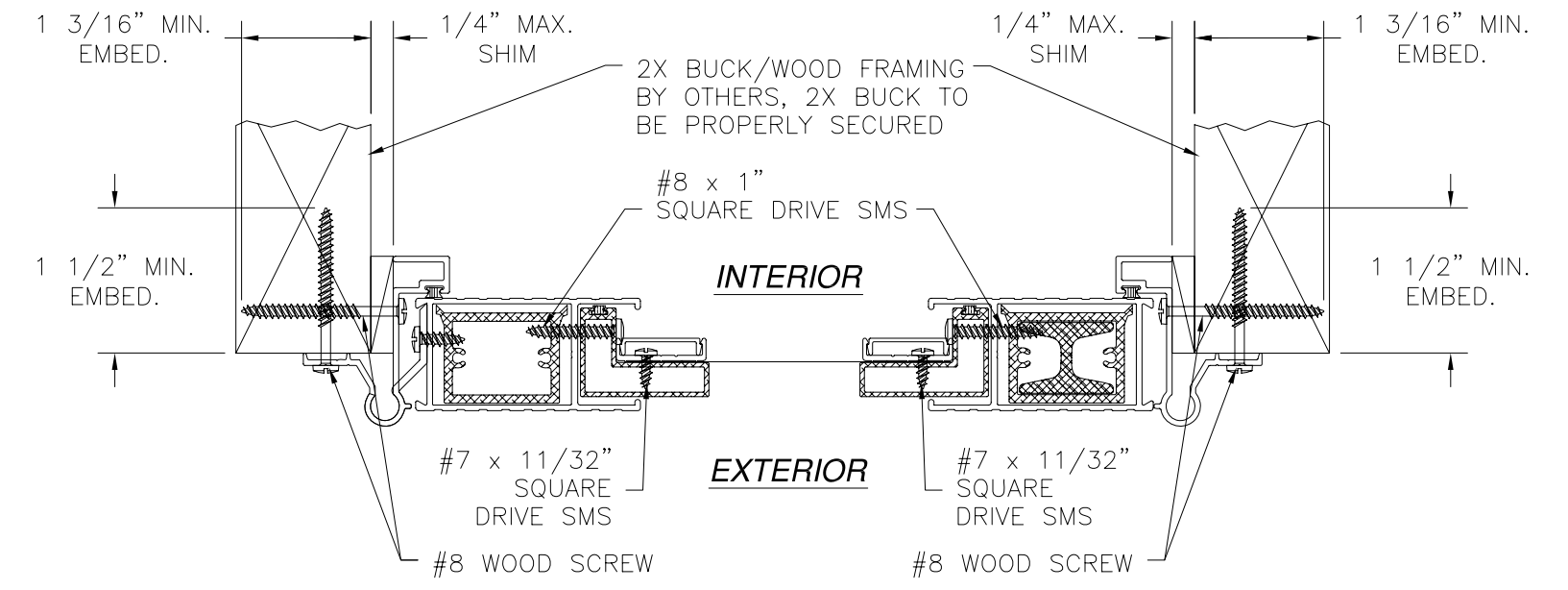
EXTERIOR

INTERIOR

#7 x 11/32" SQUARE DRIVE SMS #8 x 1" SQUARE DRIVE SMS



VERTICAL CROSS SECTION
2X BUCK/WOOD FRAMING INSTALLATION DETAIL



INTERIOR

EXTERIOR

HORIZONTAL CROSS SECTION
2X BUCK/WOOD FRAMING INSTALLATION DETAIL

TAPCO INCORPORATED
1815 McCULLOUGH BLVD.
TUPELO, MS 38801

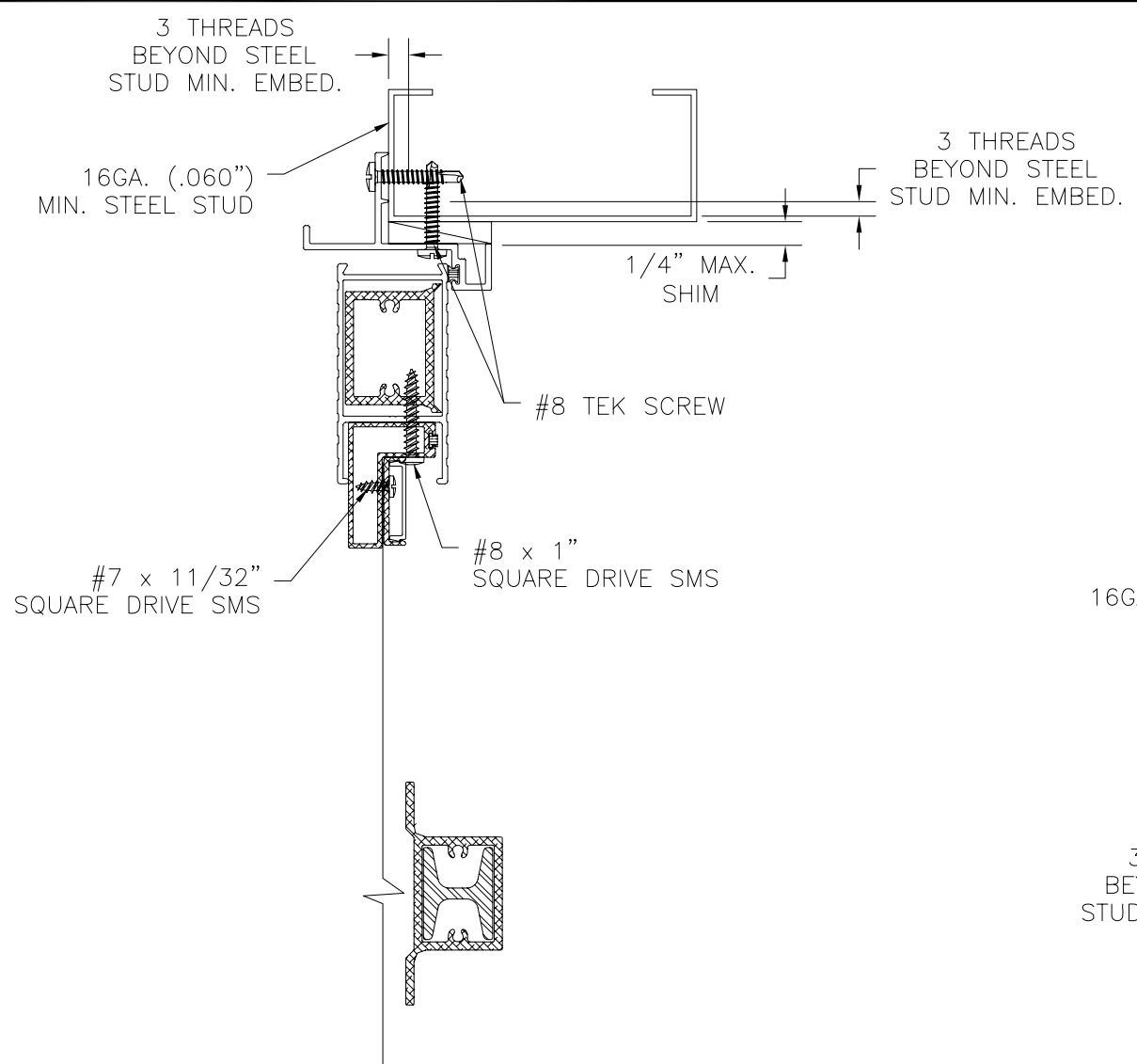
400-HD ALUMINUM FULL VIEW SECURITY SCREEN
38" x 87" IMPACT
INSTALLATION DETAILS

DRAWN: TJH	DWG NO. 08-00941	REV B
SCALE NTS	DATE 02/17/10	SHEET 2 OF 5

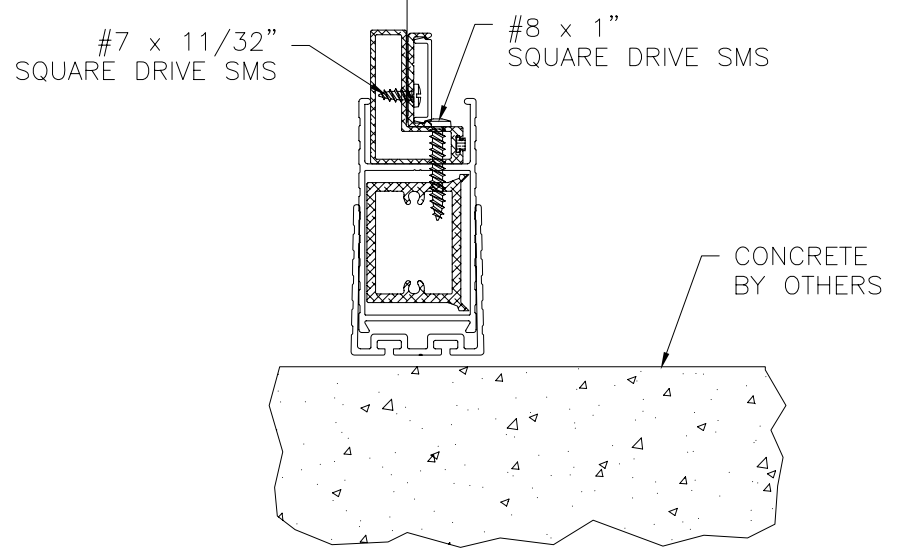


Luis R. Lomas P.E.
Texas No. 101889

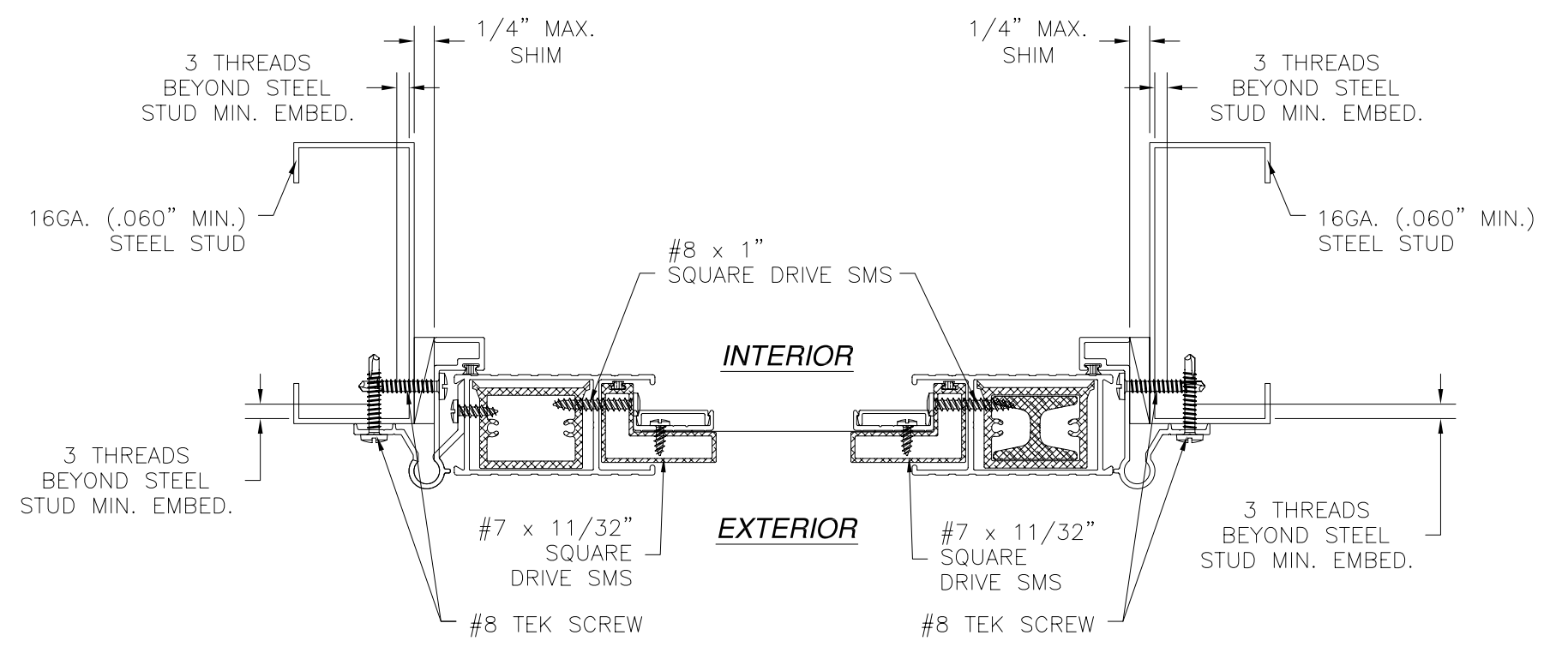
REVISIONS			
REV	DESCRIPTION	DATE	APPROVED
A	ADDED HARDWARE LOCATIONS	9/22/10	R.L.
B	ADDED PART NUMBER FOR DEADBOLT	9/27/10	R.L.



EXTERIOR **INTERIOR**



VERTICAL CROSS SECTION
STEEL FRAMING INSTALLATION DETAIL



HORIZONTAL CROSS SECTION
STEEL FRAMING INSTALLATION DETAIL

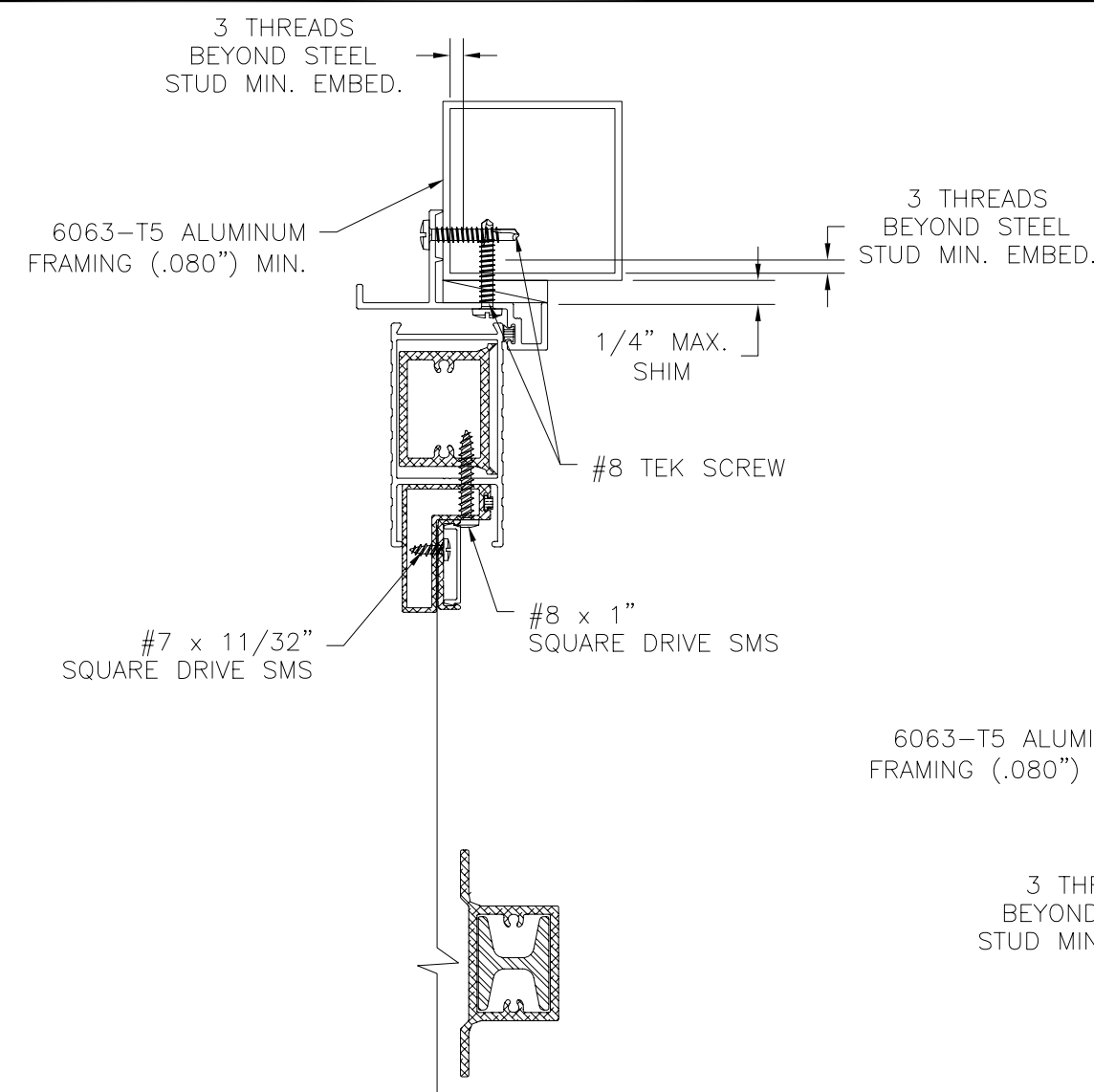
TAPCO INCORPORATED
1815 McCULLOUGH BLVD.
TUPELO, MS 38801

400-HD-F ALUMINUM FULL VIEW SECURITY SCREEN
38" x 87" IMPACT
INSTALLATION DETAILS

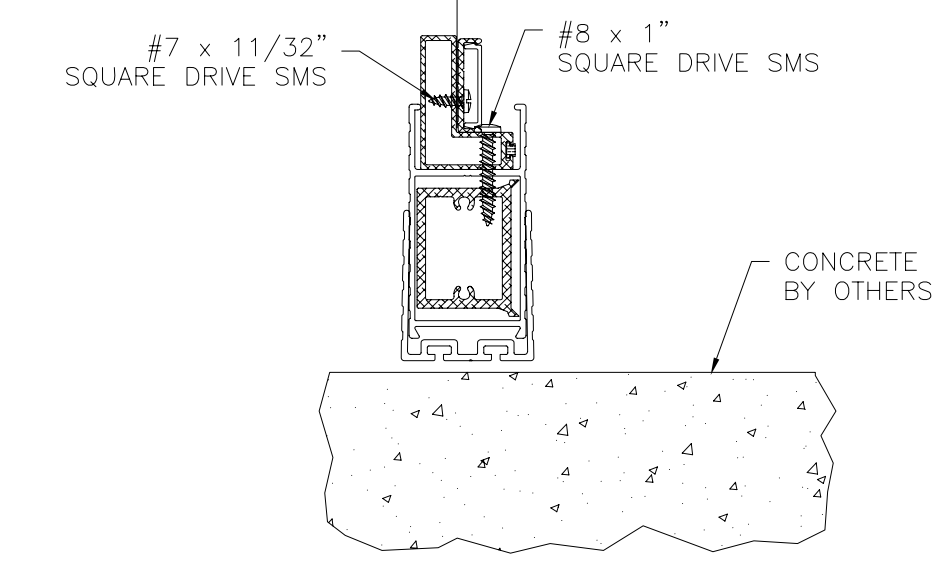
DRAWN: TJH	DWG NO. 08-00941	REV B
SCALE NTS	DATE 02/17/10	SHEET 3 OF 5

Luis R. Lomas P.E.
Texas No. 101889

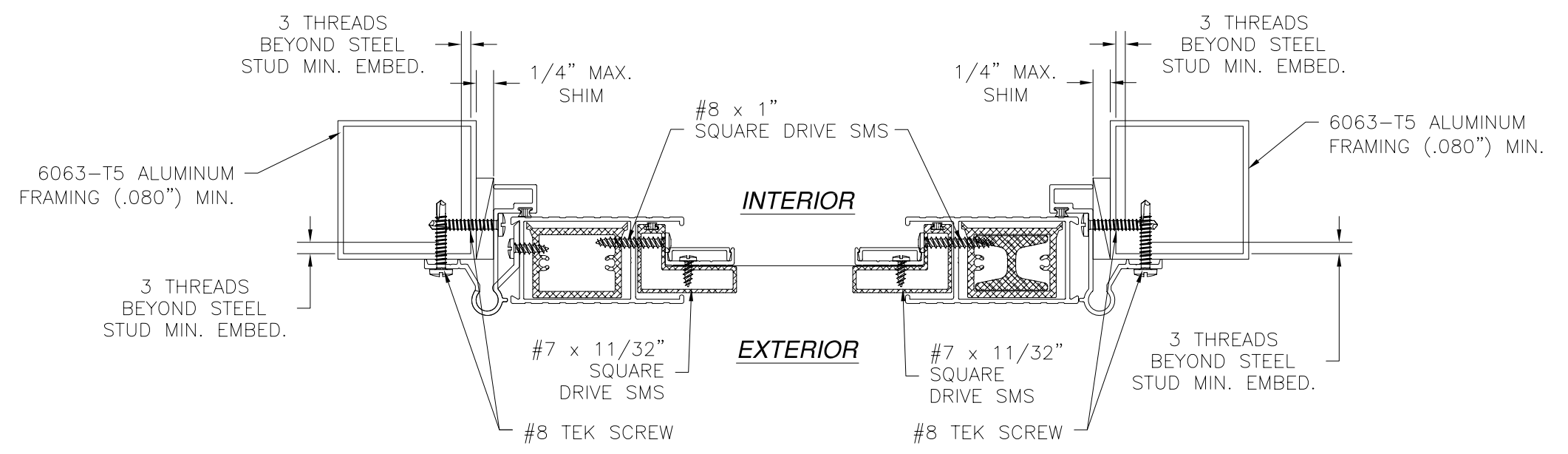
REVISIONS			
REV	DESCRIPTION	DATE	APPROVED
A	ADDED HARDWARE LOCATIONS	9/22/10	R.L.
B	ADDED PART NUMBER FOR DEADBOLT	9/27/10	R.L.



EXTERIOR **INTERIOR**



VERTICAL CROSS SECTION
ALUMINUM FRAMING INSTALLATION DETAIL



HORIZONTAL CROSS SECTION
ALUMINUM FRAMING INSTALLATION DETAIL

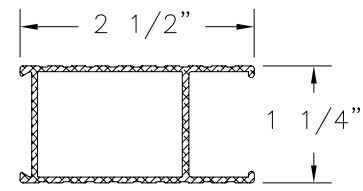
TAPCO INCORPORATED
1815 McCULLOUGH BLVD.
TUPELO, MS 38801

400-HD-F ALUMINUM FULL VIEW SECURITY SCREEN
38" x 87" IMPACT
INSTALLATION DETAILS

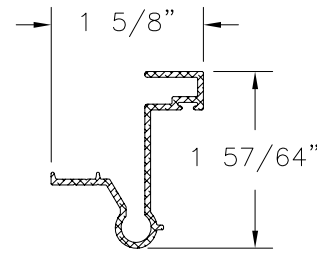
DRAWN: TJH	DWG NO. 08-00941	REV B
SCALE NTS	DATE 02/17/10	SHEET 4 OF 5

Luis R. Lomas P.E.
Texas No. 101889

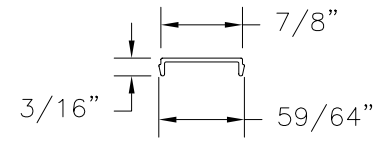
REVISIONS			
REV	DESCRIPTION	DATE	APPROVED
A	ADDED HARDWARE LOCATIONS	9/22/10	R.L.
B	ADDED PART NUMBER FOR DEADBOLT	9/27/10	R.L.



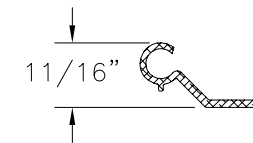
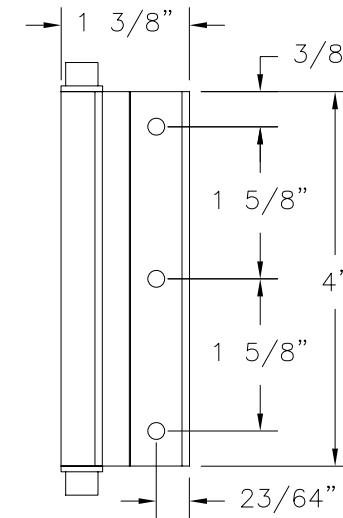
DOOR FRAME
ALUMINUM 6063-T5 .070" THICK



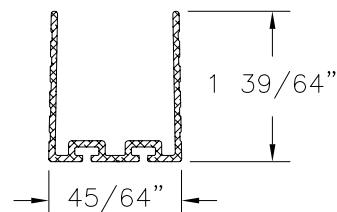
HINGE RAIL I-BAR
ALUMINUM 6063-T5 .062" THICK



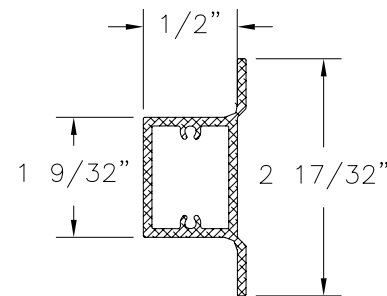
FLAT BAR COVER
EXTRUDED RIGID PVC .040" THICK



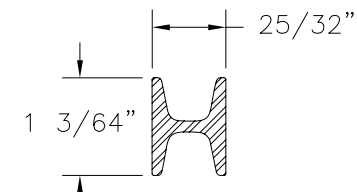
SPRING LOADED HINGE ASSEMBLY
HINGE AMP-SD-061 ALUMINUM 6063-T5 .062" THICK FROM PROFILE EXTRUSIONS
PINS AND BUSHINGS FROM MERCHANTS FASTENERS
SPRING 1803-3 FROM SOUTHERN PRECISION SPRINGS



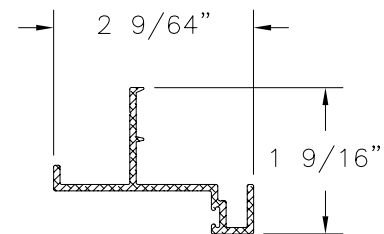
EXPANDER
ALUMINUM 6063-T5 .066" THICK



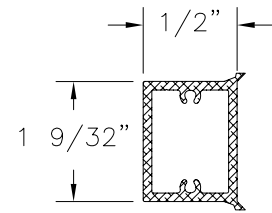
#900 MULL BAR
ALUMINUM 6063-T5 .092" THICK



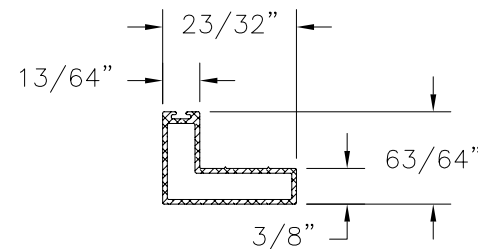
I-BEAM
ALUMINUM 6063-T5 .125" THICK



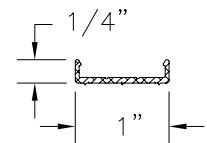
HEADER Z-BAR
ALUMINUM 6063-T5 .062" THICK



REINFORCEMENT
ALUMINUM 6063-T5 .092" THICK



#550 SCREEN FRAME
ALUMINUM 6063-T5 .050" THICK



FLAT BAR U-CHANNEL
ALUMINUM 6063-T5 .060" THICK

TAPCO INCORPORATED
1815 McCULLOUGH BLVD.
TUPELO, MS 38801

400-HD-F ALUMINUM FULL VIEW SECURITY SCREEN
38" x 87" IMPACT COMPONENTS

DRAWN: TJH DWG NO. 08-00941 REV B

SCALE NTS DATE 02/17/10 SHEET 5 OF 5



Luis R. Lomas P.E.
Texas No. 101889