

REVISIONS			
REV	DESCRIPTION	DATE	APPROVED
A	REVISED ANCHORS	2/16/10	R.L.
B	REVISED ANCHORING AND ADDED ALUMINUM TUBE INSTALLATION	01/18/11	R.L.
C	REVISED INSTALLATION DETAILS	7/22/11	R.L.

- NOTES:
- 1) THE PRODUCT SHOWN HEREIN IS DESIGNED AND MANUFACTURED TO COMPLY WITH REQUIREMENTS OF THE 2006 INTERNATIONAL BUILDING CODE AND 2006 INTERNATIONAL RESIDENTIAL CODE WITH TEXAS STATE MODIFICATIONS.
  - 2) WOOD FRAMING AND MASONRY OPENING TO BE DESIGNED AND ANCHORED TO PROPERLY TRANSFER ALL LOADS TO STRUCTURE. FRAMING AND MASONRY OPENING IS THE RESPONSIBILITY OF THE ARCHITECT OR ENGINEER OF RECORD.
  - 3) 1X BUCK OVER MASONRY/CONCRETE IS OPTIONAL. WHERE 1X BUCK IS NOT USED DISSIMILAR MATERIALS MUST BE SEPARATED WITH APPROVED COATING OR MEMBRANE. SELECTION OF COATING OR MEMBRANE IS THE RESPONSIBILITY OF THE ARCHITECT OR ENGINEER OF RECORD.
  - 4) ALLOWABLE STRESS INCREASE OF 1/3 WAS NOT USED IN THE DESIGN OF THE PRODUCT SHOWN HEREIN. WIND LOAD DURATION FACTOR  $C_d=1.6$  WAS USED FOR WOOD ANCHOR CALCULATIONS.
  - 5) FRAME MATERIAL: EXTRUDED ALUMINUM 6063-T5 .076" THICK. SASH MATERIAL: EXTRUDED ALUMINUM 6063-T5 .088" THICK.
  - 6) SCREEN MATERIAL: .035" STAINLESS STEEL 12 x 12 MESH WIRE WITH NATURAL FINISH OR PAINTED.
  - 7) TRIPLE WIDE WITH TRANSOM SHOWN WITH ACTIVE SASH ON BOTTOM AND FIXED SASH ON TOP. UNLIMITED UNITS VERTICALLY AND HORIZONTALLY IN ANY COMBINATION OF ACTIVE AND FIXED SASHES ARE APPROVED AS LONG AS INDIVIDUAL SASH DOES NOT EXCEED OVERALL SASH SIZE AS SHOWN HEREIN AND VERTICAL MULLION DOES NOT EXCEED 96" AND HORIZONTAL MULLION DOES NOT EXCEED 51 1/4".

**985HV ALUMINUM HURRICANE SCREEN - IMPACT**  
EXTERIOR VIEW

DESIGN PRESSURE RATING	IMPACT RATING
±50PSF	LARGE AND SMALL MISSILE IMPACT

Height (in)	Required Number of anchors											
	Nominal Single Sash and Total Unit Width (in)											
	24.0		30.0		36.0		42.0		48.0		51.0	
	72.0	90.0	108.0	126.0	144.0	153.0						
	H&S	Jamb	H&S	Jamb	H&S	Jamb	H&S	Jamb	H&S	Jamb	H&S	Jamb
48.0	7	4	9	4	11	4	13	4	15	4	15	4
54.0	7	5	9	5	11	5	13	5	15	5	15	5
60.0	7	5	9	5	11	5	13	5	15	5	15	5
66.0	7	6	9	6	11	6	13	6	15	6	15	6
72.0	7	6	9	6	11	6	13	6	15	6	15	6
78.0	7	7	9	7	11	7	13	7	15	7	16	7
84.0	8	7	10	7	12	7	14	7	16	7	17	7
90.0	8	8	10	8	12	8	14	8	17	8	18	8
96.0	9	8	11	8	13	8	15	8	18	8	19	8

TABLE OF CONTENTS	
SHEET NO.	DESCRIPTION
1	ELEVATION, ANCHORING AND NOTES
2 - 4	INSTALLATION DETAILS
5	COMPONENTS

**TAPCO INCORPORATED**  
1815 McCULLOUGH BLVD.  
TUPELO, MS 38801

985HV ALUMINUM HURRICANE SCREEN - IMPACT  
153" x 96"  
ELEVATION, ANCHORING AND NOTES

DRAWN: TJH	DWG NO. 08-00871	REV C
SCALE NTS	DATE 10/08/09	SHEET 1 OF 5

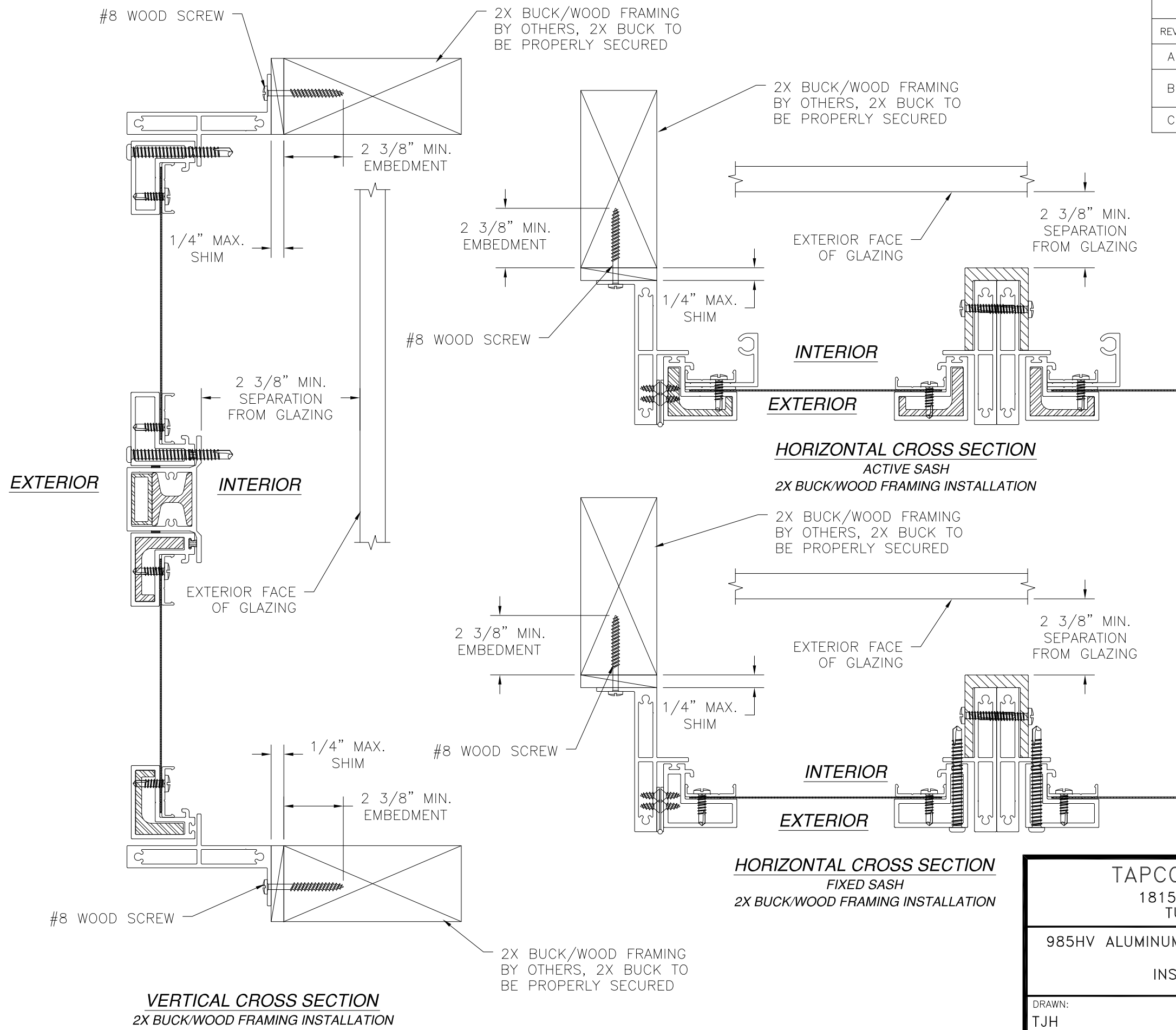
SIGNED: 07/26/2011



Luis R. Lomas P.E.  
Texas No. 101889

REVISIONS

REV	DESCRIPTION	DATE	APPROVED
A	REVISED ANCHORS	2/16/10	R.L.
B	REVISED ANCHORING AND ADDED ALUMINUM TUBE INSTALLATION	01/18/11	R.L.
C	REVISED INSTALLATION DETAILS	7/22/11	R.L.



- ANCHORING NOTES:
- 1) SHIM AS REQUIRED AT EACH INSTALLATION ANCHOR WITH LOAD BEARING SHIM. SHIM WHERE SPACE OF 1/16" OR GREATER OCCURS. MAXIMUM ALLOWABLE SHIM STACK TO BE 1/4".
  - 2) FOR ANCHORING INTO MASONRY USE 3/16" ELCO ULTRACON TAPCONS WITH SUFFICIENT LENGTH TO ACHIEVE A 1 1/4" MINIMUM EMBEDMENT INTO SUBSTRATE WITH 1 3/4" MINIMUM EDGE DISTANCE. LOCATE ANCHORS AS SHOWN IN ELEVATIONS AND INSTALLATION DETAILS.
  - 3) FOR ANCHORING INTO WOOD FRAMING OR 2X BUCK USE #8 WOOD SCREW WITH SUFFICIENT LENGTH TO ACHIEVE A 1 3/16" MINIMUM EMBEDMENT INTO SUBSTRATE. LOCATE ANCHORS AS SHOWN IN ELEVATIONS AND INSTALLATION DETAILS.
  - 4) FOR ANCHORING INTO METAL STRUCTURE USE #8 TEK SCREW WITH SUFFICIENT LENGTH TO ACHIEVE 3-THREAD PITCH MINIMUM BEYOND SUBSTRATE. LOCATE ANCHORS AS SHOWN IN ELEVATIONS AND INSTALLATION DETAILS.
  - 5) ALL FASTENERS TO BE CORROSION RESISTANT.
  - 6) INSTALLATION ANCHORS SHALL BE INSTALLED IN ACCORDANCE WITH ANCHOR MANUFACTURER'S INSTALLATION INSTRUCTIONS, AND ANCHORS SHALL NOT BE USED IN SUBSTRATES WITH STRENGTHS LESS THAN THE MINIMUM STRENGTH SPECIFIED BELOW:  
 A. WOOD - MINIMUM SPECIFIC GRAVITY OF G=0.42  
 B. CONCRETE - MINIMUM COMPRESSIVE STRENGTH OF 3,200 PSI.  
 C. MASONRY - STRENGTH CONFORMANCE TO ASTM C-90, GRADE N, TYPE 1 (OR GREATER).  
 D. METAL STRUCTURE: STEEL STUD FRAMING 16GA. 33KSI OR ALUMINUM 6063-T5 1/8" THICK MINIMUM.

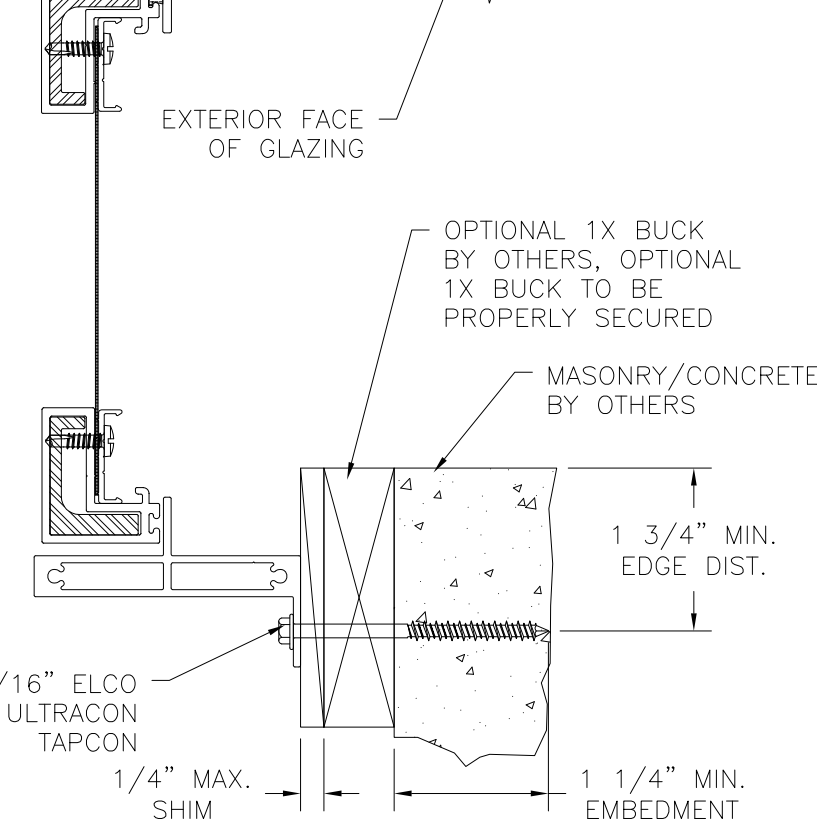
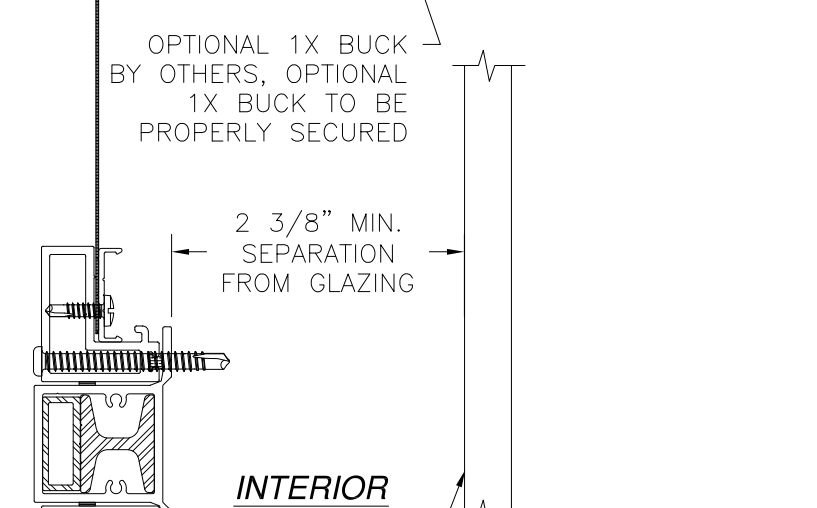
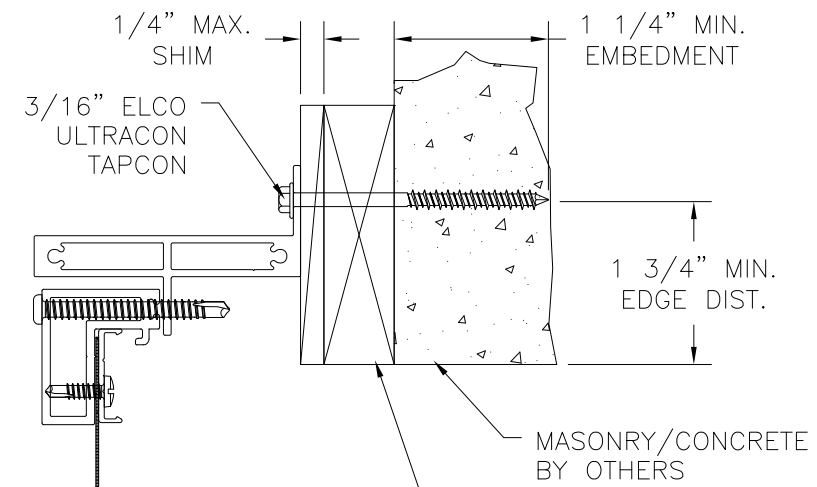
**TAPCO INCORPORATED**  
1815 McCULLOUGH BLVD.  
TUPELO, MS 38801

985HV ALUMINUM HURRICANE SCREEN - IMPACT  
153" x 96"  
INSTALLATION DETAILS

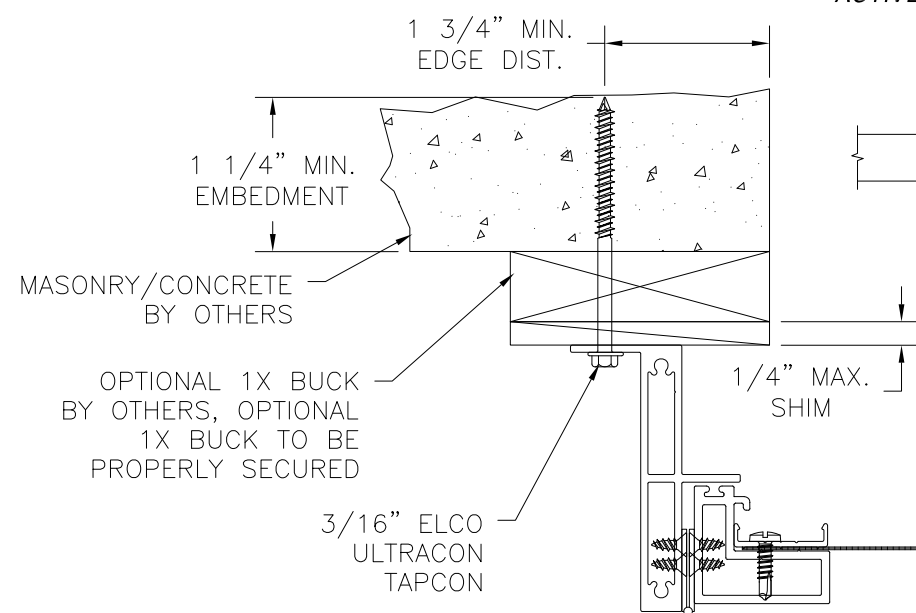
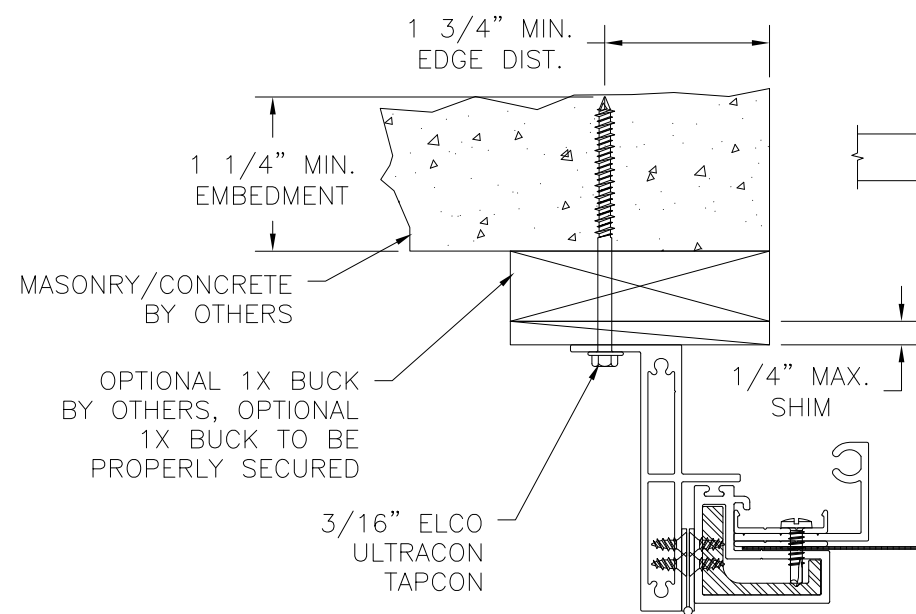
DRAWN: TJH	DWG NO. 08-00871	REV C
SCALE NTS	DATE 10/08/09	SHEET 2 OF 5

Luis R. Lomas P.E.  
Texas No. 101889

REVISIONS			
REV	DESCRIPTION	DATE	APPROVED
A	REVISED ANCHORS	2/16/10	R.L.
B	REVISED ANCHORING AND ADDED ALUMINUM TUBE INSTALLATION	01/18/11	R.L.
C	REVISED INSTALLATION DETAILS	7/22/11	R.L.

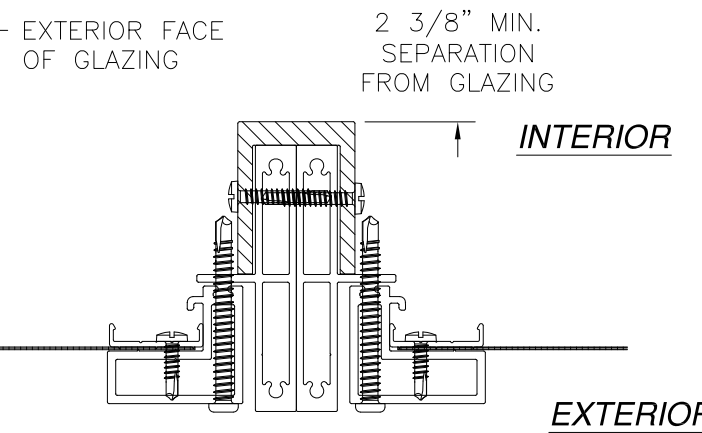
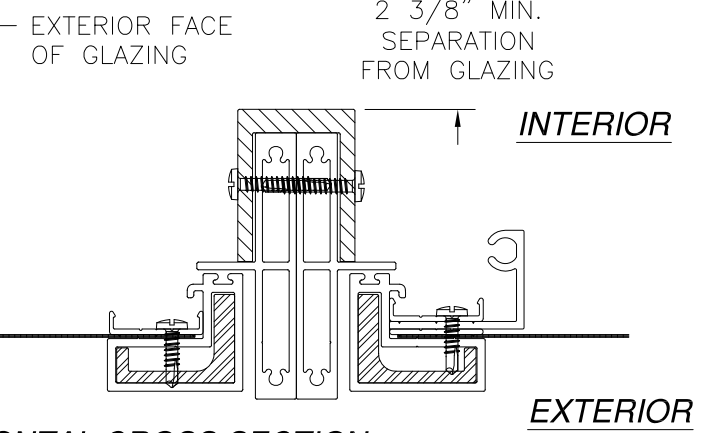


**VERTICAL CROSS SECTION**  
MASONRY/CONCRETE INSTALLATION



**HORIZONTAL CROSS SECTION**  
ACTIVE SASH, MASONRY/CONCRETE INSTALLATION

**HORIZONTAL CROSS SECTION**  
FIXED SASH, MASONRY/CONCRETE INSTALLATION



**TAPCO INCORPORATED**  
1815 McCULLOUGH BLVD.  
TUPELO, MS 38801

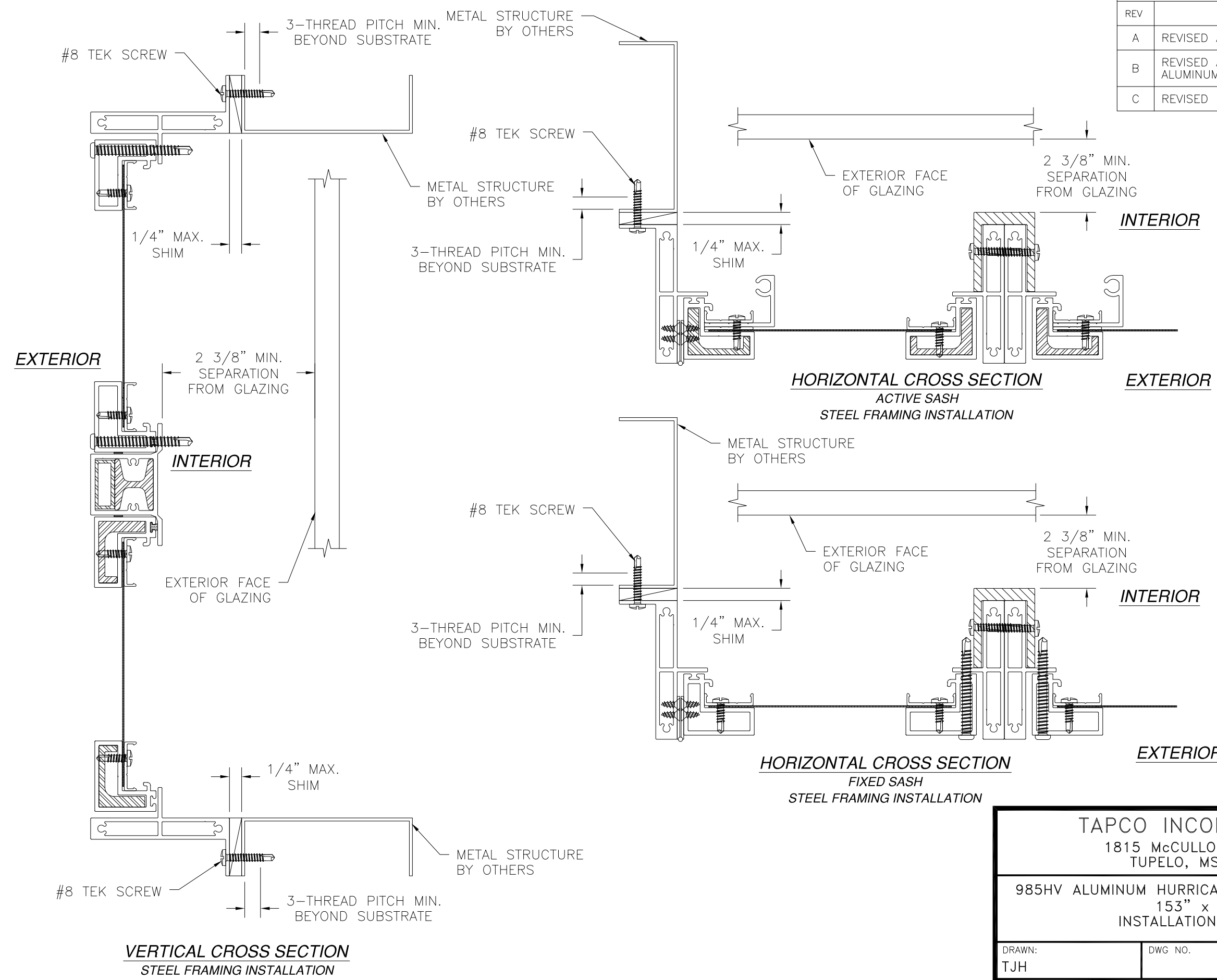
985HV ALUMINUM HURRICANE SCREEN - IMPACT  
153" x 96"  
INSTALLATION DETAILS

DRAWN: TJH	DWG NO. 08-00871	REV C
SCALE NTS	DATE 10/08/09	SHEET 3 OF 5



Luis R. Lomas P.E.  
Texas No. 101889

REVISIONS			
REV	DESCRIPTION	DATE	APPROVED
A	REVISED ANCHORS	2/16/10	R.L.
B	REVISED ANCHORING AND ADDED ALUMINUM TUBE INSTALLATION	01/18/11	R.L.
C	REVISED INSTALLATION DETAILS	7/22/11	R.L.



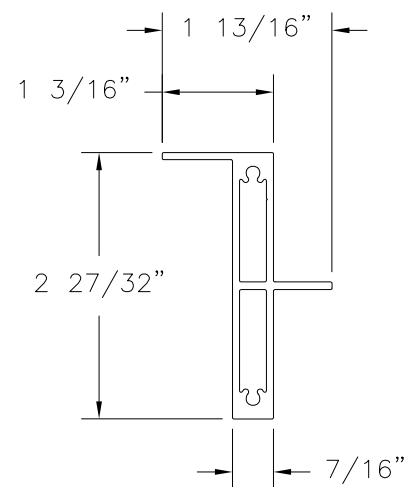
**TAPCO INCORPORATED**  
 1815 McCULLOUGH BLVD.  
 TUPELO, MS 38801

985HV ALUMINUM HURRICANE SCREEN - IMPACT  
 153" x 96"  
 INSTALLATION DETAILS

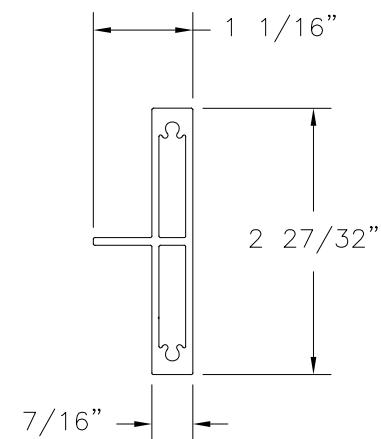
DRAWN: TJH	DWG NO. 08-00871	REV C
SCALE NTS	DATE 10/08/09	SHEET 4 OF 5

Luis R. Lomas P.E.  
 Texas No. 101889

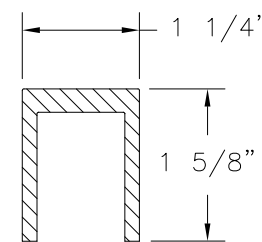
REVISIONS			
REV	DESCRIPTION	DATE	APPROVED
A	REVISED ANCHORS	2/16/10	R.L.
B	REVISED ANCHORING AND ADDED ALUMINUM TUBE INSTALLATION	01/18/11	R.L.
C	REVISED INSTALLATION DETAILS	7/22/11	R.L.



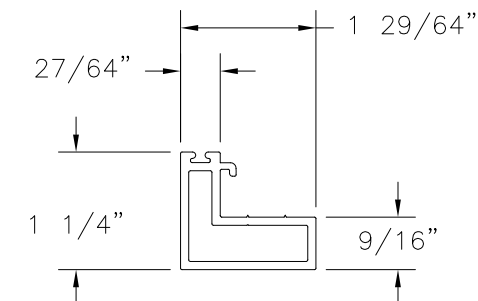
**SUB FRAME**  
ALUMINUM 6063-T5 .076" THICK



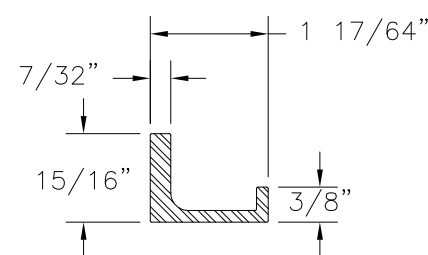
**VERTICAL MULL**  
ALUMINUM 6063-T5 .076" THICK



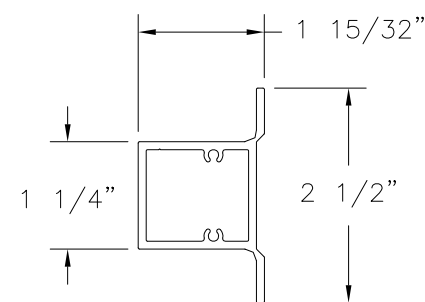
**U-CHANNEL**  
ALUMINUM 6005-T6 .156" THICK



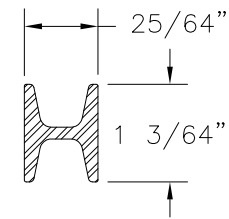
**MAIN FRAME**  
ALUMINUM 6063-T5 .088" THICK



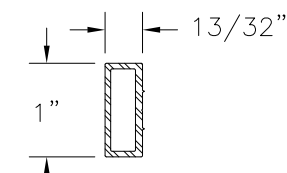
**HS FILLER**  
ALUMINUM 6005-T6 .125" THICK



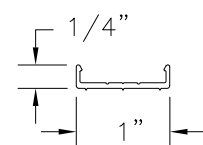
**HORIZONTAL MULL BAR**  
ALUMINUM 6063-T5 .092" THICK



**SUPPORT I-BEAM**  
ALUMINUM 6005-T6 .125" THICK



**MULLION**  
ALUMINUM 6063-T5 .075" THICK

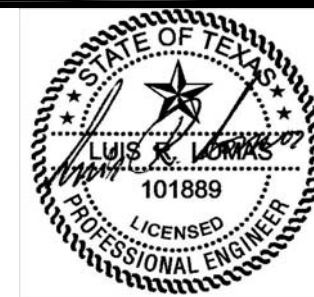


**FLAT BAR  
U-CHANNEL**  
ALUMINUM 6063-T5 .060" THICK

TAPCO INCORPORATED  
1815 McCULLOUGH BLVD.  
TUPELO, MS 38801

985HV ALUMINUM HURRICANE SCREEN - IMPACT  
153" x 96"  
COMPONENTS

DRAWN: TJH	DWG NO. 08-00871	REV C
SCALE NTS	DATE 10/08/09	SHEET 5 OF 5



Luis R. Lomas P.E.  
Texas No. 101889